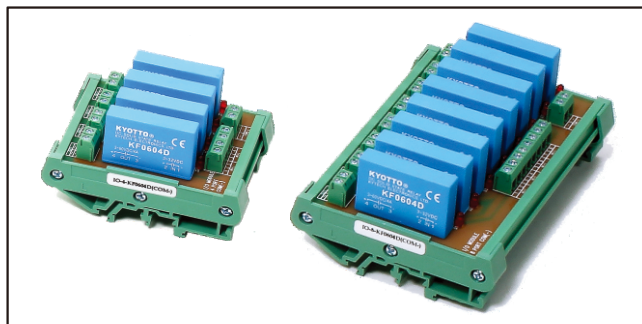


固態繼電器 SOLID STATE RELAY

X = 1Port, 2Port, 4Port, 8Port

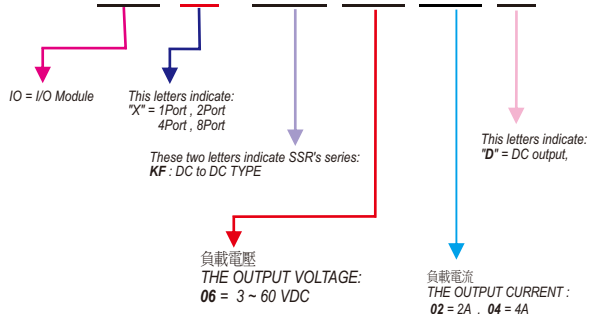
IO-1-KF06_D
IO-2-KF06_D
IO-4-KF06_D com(+), com(-)
IO-8-KF06_D com(+), com(-)

IO-X-KF06_D SERIES



型號索引說明 Model No. Descriptions:

IO-X-KF0604D



產品摘錄 PRODUCT SELECTON

輸出規格 OUTPUT SPECIFICATIONS

品名	Description	IO-X-KF0602D	IO-X-KF0604D
負載電壓範圍	Operating Voltage [VDC]	3-60VDC	3-60VDC
最大負載電流	Maximum Load Current [A]	2A	4A
破壞電壓	Maximum Transient Overvoltage [Vpk]	80	80
洩露電流	Maximum Off-State Leakage Current @Rated Voltage [mA]	5mA	5mA
最大瞬間承受電流	Maximum Surge Current [Adc] (10ms)	3A	8A
動作壓降	Maximum On-State Voltage Drop @ Rated Current [VDCrms]	1.5	1.5

輸入規格 INPUT SPECIFICATIONS

品名	Description	IO-X-KF0602D	IO-X-KF0604D
控制電壓範圍	Control Voltage Range	4-32VDC	4-32VDC
最小導通電壓	Minimum Turn-on Voltage	4.0	4.0
最小關斷電壓	Minimum Turn-off Voltage	1.0	1.0
輸入電流	Typical Input Current	15mA	15mA
最大動作時間	Maximum Turn-on Time [mSec]	Less 2m Sec	Less 2m Sec
最大關斷時間	Maximum Turn-off Time [mSec]	Less 2m Sec	Less 2m Sec

一般規格 GENERAL SPECIFICATIONS

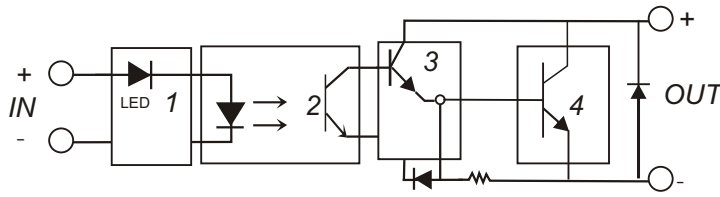
品名	Description	IO-X-KF0602D	IO-X-KF0604D
輸入/輸出至外殼絕緣電壓	Dielectric Strength, Input-Output Base (50/60Hz)	-	-
輸入/輸出絕緣電壓	Dielectric Strength, Input-Output (50/60Hz)	2500	2500
絕緣電阻	Minimum Insulation Resistance	10 ⁹ ohm	10 ⁹ ohm
輸入-輸出容抗	Maximum Capacitance, Input-Output	Less 15pf	Less 15pf
工作溫度範圍	Ambient Operating Temperature Range	-20°C~+80°C	-20°C~+80°C
儲存溫度範圍	Ambient Storage Temperature Range	-40°C~+100°C	-40°C~+100°C
觸發方式	Switching Type	電晶體(TR)	電晶體(TR)

GENERAL NOTES

- (1) All parameters at 25°C unless otherwise specified
- (2) Dielectric strength and insulation resistance are measured between input and output
- (3) Heat sinking require, for derating curves see next page.

等效電路圖 EQUIVALENT CIRCUIT

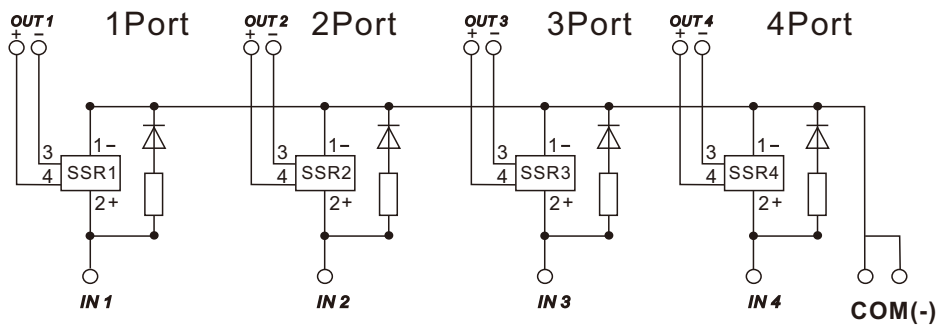
DC to DC type / 直流對直流型



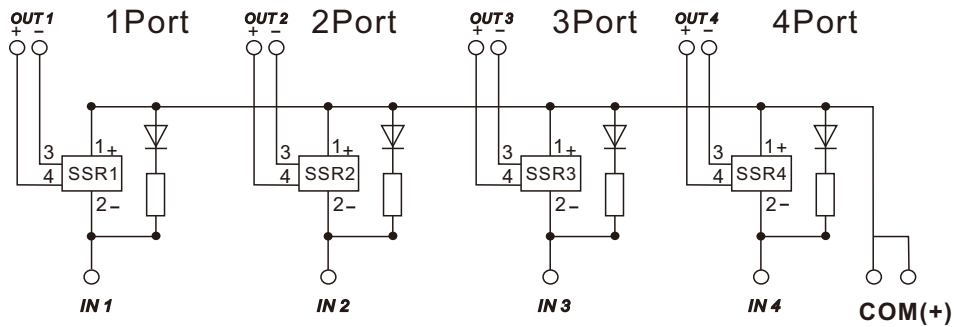
- 1.INPUT CIRCUIT
- 2.PHOTO DETECTOR
- 3.AMPLIFIER
- 4.PROTECTED CIRCUIT

接線圖 Circuit Diagram

IN/PUT CONTROL : COM (-)



IN/PUT CONTROL : COM (+)



外觀尺寸圖 MECHANICAL DIMENSIONS (Unit:mm)

Model	Dimension (LxWxH)mm
IO-1 port	14x87x51
IO-2 port	34x87x51
IO-4 port	64x87x51
IO-8 port	124x87x51

