

常閉型固態繼電器 SOLID STATE RELAY(Normal Close)

NC20C10AA
NC20C15AA
NC20C25AA
NC20C40AA
NC20C50AA

NC (AC-AC) SERIES



型號索引說明 Model No. Descriptions:

NC 20 C10AA

These two letters indicate SSR's series:
NC : Normal Close

This letters indicate:
"DA" = DC input , AC output
"AA" = AC input , AC output

負載電壓
THE OUTPUT VOLTAGE:
20 = 24-280VAC

負載電流
THE OUTPUT CURRENT :
10 = 10A , 15 = 15A , 25 = 25A , 40 = 40A , 50=50A

產品摘錄 PRODUCT SELECTON

輸出規格 OUTPUT SPECIFICATIONS

品名	Description	NC20C10AA	NC20C15AA	NC20C25AA	NC20C40AA	NC20C50AA
負載電壓範圍	Operating Voltage [VAC]	24-280VAC	24-280VAC	24-280VAC	24-280VAC	24-280VAC
最大負載電流	Maximum Load Current [A]	10	15	25	40	50
破壞電壓	Maximum Transient Overvoltage [Vpk]	600	600	600	600	600
洩露電流	Maximum Off-State Leakage Current @Rated Voltage [mA]	3mA	3mA	3mA	3mA	3mA
最大瞬間承受電流	Maximum Surge Current [Adc] (10ms)	100A	150A	250A	400A	500A
動作壓降	Maximum On-State Voltage Drop @ Rated Current [VACrms]	1.5	1.5	1.5	1.5	1.5
瞬間電壓變化率	Maximum Off-State dv/dt [V/uSEc]	500	500	500	500	500

輸入規格 INPUT SPECIFICATIONS

品名	Description	NC20C10AA	NC20C15AA	NC20C25AA	NC20C40AA	NC20C50AA
控制電壓範圍	Control Voltage Range[VAC]	80-280	80-280	80-280	80-280	80-280
最小導通電壓	Minimum Turn-on Voltage	80	80	80	80	80
最大關斷電壓	Maximum Turn-off Voltage	10	10	10	10	10
輸入電流	Typical Input Current	15mA	15mA	15mA	15mA	15mA
最大動作時間	Maximum Turn-on Time [mSec]	8.3m Sec	8.3m Sec	8.3m Sec	8.3m Sec	8.3m Sec
最大關斷時間	Maximum Turn-off Time [mSec]	1/2AC cycle	1/2AC cycle	1/2AC cycle	1/2AC cycle	1/2AC cycle

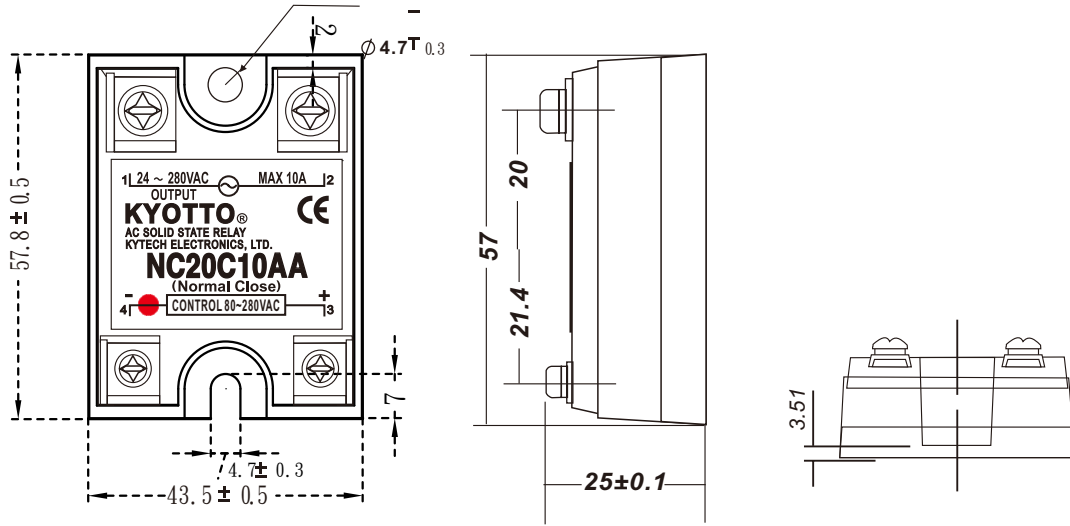
一般規格 GENERAL SPECIFICATIONS

品名	Description	NC20C10AA	NC20C15AA	NC20C25AA	NC20C40AA	NC20C50AA
輸入/輸出至外殼絕緣電壓	Dielectric Strength , Input-Output Base (50/60Hz)	2500	2500	2500	2500	2500
輸入/輸出絕緣電壓	Dielectric Strength , Input-Output (50/60Hz)	2500	2500	2500	2500	2500
工作溫度範圍	Ambient Operating Temperature Range	-20°C ~ +80°C	-20°C ~ +80°C	-20°C ~ +80°C	-20°C ~ +80°C	-20°C ~ +80°C
儲存溫度範圍	Ambient Storage Temperature Range	-40°C ~ +100°C	-40°C ~ +100°C	-40°C ~ +100°C	-40°C ~ +100°C	-40°C ~ +100°C
觸發方式	Switch ing Type	Zero Cross	Zero Cross	Zero Cross	Zero Cross	Zero Cross
重量	Weight (g)	100g	100g	105g	105g	105g

GENERAL NOTES

- (1) All parameters at 25°C unless otherwise specified
- (2) Dielectric strength and insulation resistance are measured between input and output
- (3) Heat sinking require ,for derating curves see next page.

外觀尺寸圖 MECHANICAL DIMENSIONS (Unit:mm)



特性曲線圖 CHARACTERISTIC CURVES

