

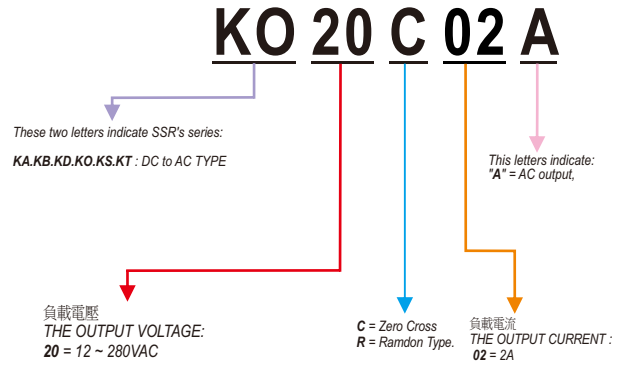
# 固態繼電器 SOLID STATE RELAY

KO20C02A

KO Series(Mini SIP Type)



型號索引說明 Model No. Descriptions:



## 產品摘錄 PRODUCT SELECTON

### 輸出規格 OUTPUT SPECIFICATIONS

品名	Description	KO20C02A	KO20R02A
負載電壓範圍	Operating Voltage [VAC]	12-280VAC	12-280VAC
最大負載電流	Maximum Load Current [Adc]	2A	2A
破壞電壓	Maximum Transient Overvoltage [Vpk]	600	600
洩漏電流	Maximum Off-State Leakage Current @Rated Voltage [mA]	Less 3mA	Less 3mA
最大瞬間承受電流	Maximum Surge Current [Adc] (10ms)	20A	20A
動作壓降	Maximum On-State Voltage Drop @ Rated Current [VACrms]	1.5	1.5
瞬間電壓變化率	Maximum Off-State dV/dt [V/uSEC]	200	200

### 輸入規格 INPUT SPECIFICATIONS

品名	Description	KO20C02A	KO20R02A
控制電壓範圍	Control Voltage Range	3-32VDC	3-32VDC
最小導通電壓	Minimum Turn-on Voltage	3.0	3.0
最大關斷電壓	Max. Turn-off Voltage	1.0	1.0
輸入電流	Typical Input Current	15mA	15mA
最大動作時間	Maximum Turn-on Time [mSec]	Less 2m Sec	Less 2m Sec
最大關斷時間	Maximum Turn-off Time [mSec]	Less 1/2AC cycle	Less 1/2AC cycle

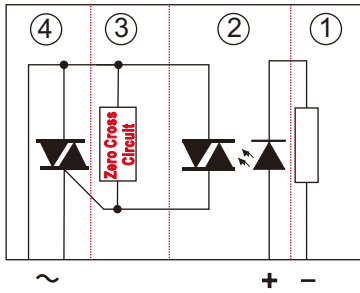
### 一般規格 GENERAL SPECIFICATIONS

品名	Description	KO20C02A	KO20R02A
輸入/輸出至外殼絕緣電壓	Dielectric Strength , Input-Output Base ( 50/60Hz)	-	-
輸入/輸出絕緣電壓	Dielectric Strength , Input-Output ( 50/60Hz)	2500	2500
絕緣電阻	Minimum Insulation Resistance	10 <sup>9</sup> ohm	10 <sup>9</sup> ohm
輸入-輸出容抗	Maximum Capacitance , Input-Output	Less 15pf	Less 15pf
工作溫度範圍	Ambient Operating Temperature Range	-20°C~+80°C	-20°C~+80°C
儲存溫度範圍	Ambient Storage Temperature Range	-40°C~+100°C	-40°C~+100°C
觸發方式	Switching Type	Zero Cross	Random Switching
重量	Weight ( g)	3.5g	3.5g

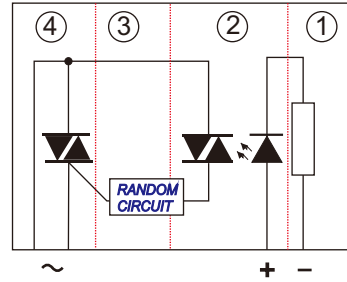
#### GENERAL NOTES

- (1) All parameters at 25°C unless otherwise specified
- (2) Dielectric strength and insulation resistance are measured between input and output
- (3) Heat sinking require ,for derating curves see next page.

## 等效電路圖 EQUIVALENT CIRCUIT

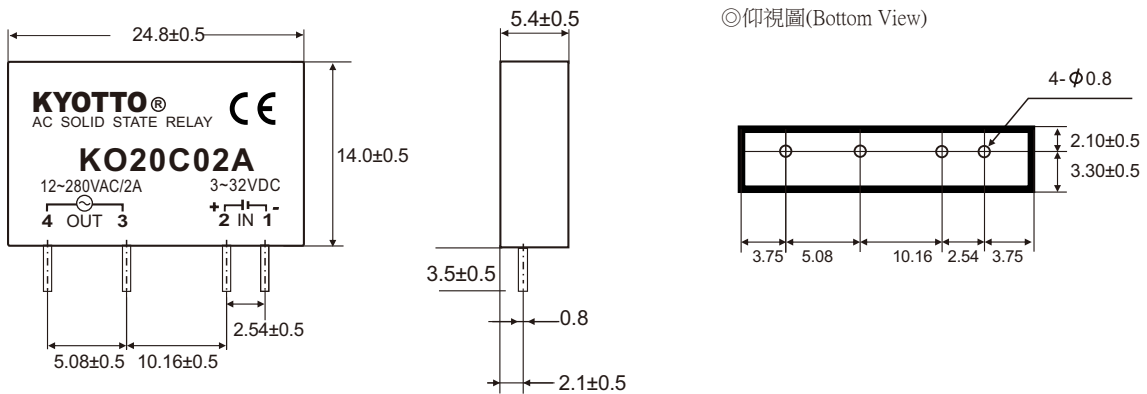


- 1.INPUT CIRCUIT
- 2.PHOTO DETECTOR
- 3.ZERO-CROSS CIRCUIT
- 4.OUTPUT CIRCUIT



- 1.INPUT CIRCUIT
- 2.PHOTO DETECTOR
- 3.RANDOM CIRCUIT
- 4.OUTPUT CIRCUIT

## 外觀尺寸圖 MECHANICAL DIMENSIONS (Unit:mm)



## 特性曲線圖 CHARACTERISTIC CURVES

