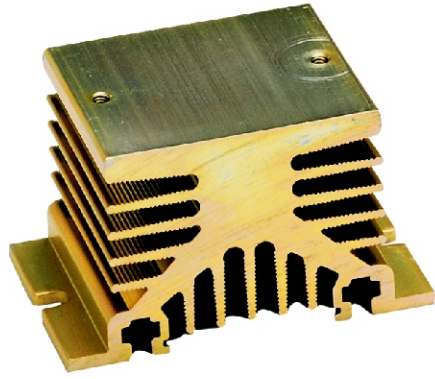


HEAT SINK

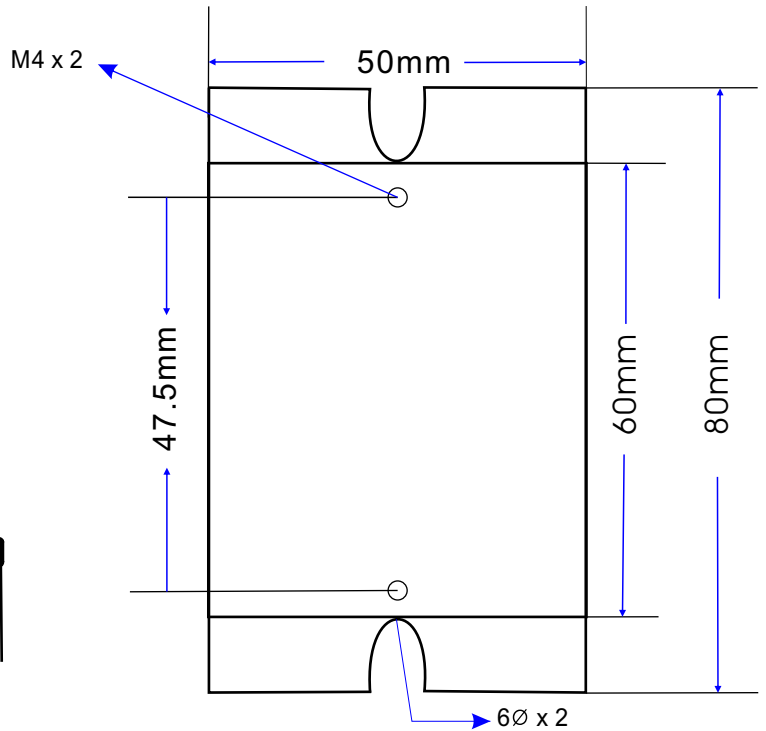
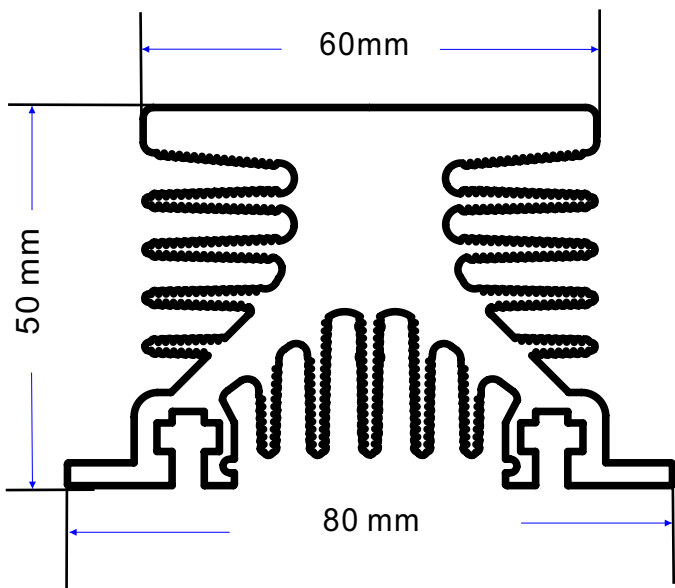
KH060 SERIES

Model No.	Length L(mm)	Suitable SSR
KH060-50	50	10A, 15A
KH060-80	80	25A
KH060-100	100	40A
KH060-120	120	50A
KH060-150	150	75A



Size : (Unit : mm)

Size : 60mm X 50mm



Assembly

