

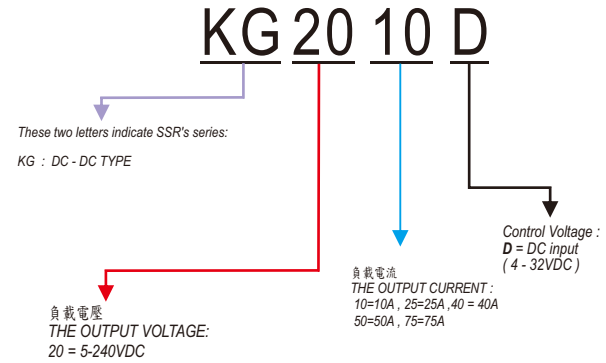
固態繼電器 SOLID STATE RELAY

KG2010D **KG2050D**
KG2025D **KG2075D**
KG2040D

KG20 (DC-DC) SERIES



型號索引說明 Model No. Descriptions:



產品摘錄 PRODUCT SELECTON

輸出規格 OUTPUT SPECIFICATIONS

品名	Description	KG2010D	KG2025D	KG2040D	KG2050D	KG2075D
負載電壓範圍	Operating Voltage [VDC]	5-240VDC	5-240VDC	5-240VDC	5-240VDC	5-240VDC
最大負載電流	Maximum Load Current [Adc]	10A	25A	40A	50A	75A
破壞電壓	Maximum Transient Overvoltage [Vpk]	250	300	300	300	300
洩漏電流	Maximum Off-State Leakage Current @Rated Voltage [mA]	3mA	3mA	3mA	3mA	3mA
最大瞬間承受電流	Maximum Surge Current [Adc] (10ms)	25A	43A	52A	75A	96A
動作壓降	Maximum On-State Voltage Drop @ Rated Current [VDCrms]	1.5	1.5	1.5	1.5	1.5

輸入規格 INPUT SPECIFICATIONS

品名	Description	KG2010D	KG2025D	KG2040D	KG2050D	KG2075D
控制電壓範圍	Control Voltage Range	4-32VDC	4-32VDC	4-32VDC	4-32VDC	4-32VDC
最小導通電壓	Minimum Turn-on Voltage	4.0	4.0	4.0	4.0	4.0
最大關斷電壓	Maximum Turn-off Voltage	1.0	1.0	1.0	1.0	1.0
輸入電流	Typical Input Current	15mA	15mA	15mA	15mA	15mA
最大動作時間	Maximum Turn-on Time [mSec]	2m Sec	2m Sec	2m Sec	2m Sec	2m Sec
最大關斷時間	Maximum Turn-off Time [mSec]	2m Sec	2m Sec	2m Sec	2m Sec	2m Sec

一般規格 GENERAL SPECIFICATIONS

品名	Description	KG2010D	KG2025D	KG2040D	KG2050D	KG2075D
輸入/輸出至外殼絕緣電壓	Dielectric Strength , Input-Output Base	2500	2500	2500	2500	2500
輸入/輸出絕緣電壓	Dielectric Strength , Input-Output	2500	2500	2500	2500	2500
絕緣電阻	Minimum Insulation Resistance	10 ⁹ ohm	10 ⁹ ohm	10 ⁹ ohm	10 ⁹ ohm	10 ⁹ ohm
輸入-輸出容抗	Maximum Capacitance , Input-Output	Less 15pf	Less 15pf	Less 15pf	Less 15pf	Less 15pf
工作溫度範圍	Ambient Operating Temperature Range	-20°C~+80°C	-20°C~+80°C	-20°C~+80°C	-20°C~+80°C	-20°C~+80°C
儲存溫度範圍	Ambient Storage Temperature Range	-40°C~+100°C	-40°C~+100°C	-40°C~+100°C	-40°C~+100°C	-40°C~+100°C
觸發方式	Switching Type	BJT	MOSFET	MOSFET	MOSFET	MOSFET
重量	Weight (g)	100g	100g	100g	100g	100g

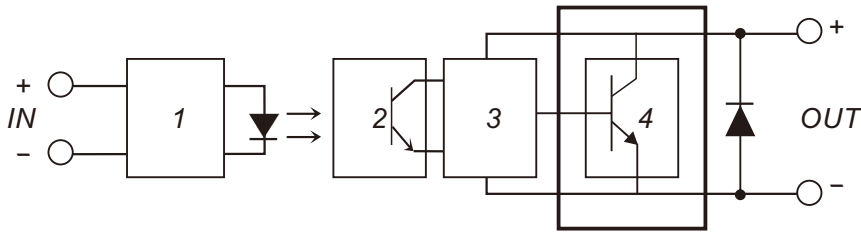
GENERAL NOTES

- (1) All parameters at 25°C unless otherwise specified
- (2) Dielectric strength and insulation resistance are measured between input and output
- (3) Heat sinking require ,for derating curves see next page.

Do not forget to visit us at : www.kyotto.com
 Specifications subject to change without notice.

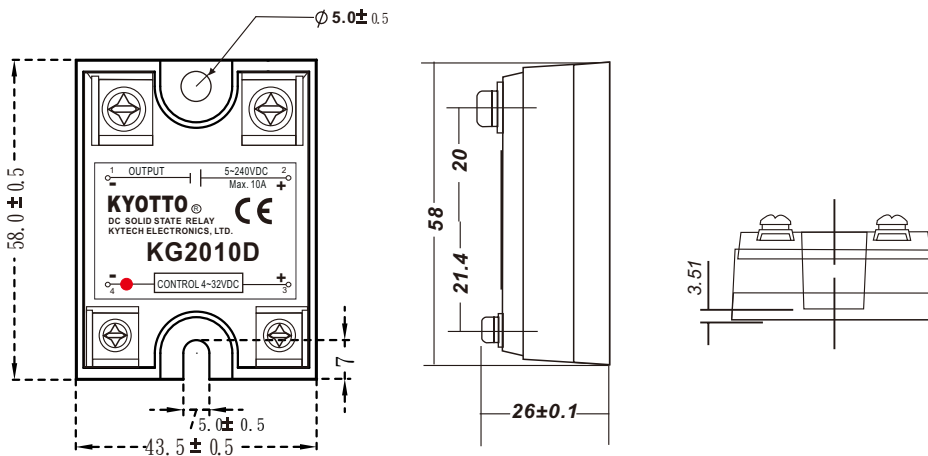
KYOTTO[®]
 SOLID STATE RELAY

等效電路圖 EQUIVALENT CIRCUIT

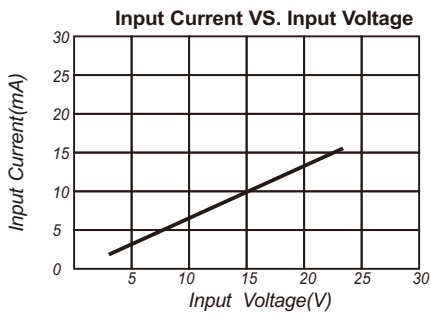


- 1.INPUT CIRCUIT
- 2.PHOTO DETECTOR
- 3.AMPLIFIER
- 4.PROTECTED CIRCUIT

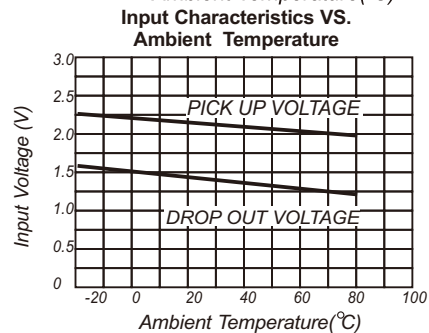
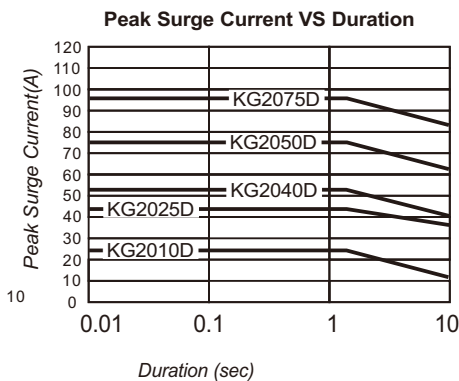
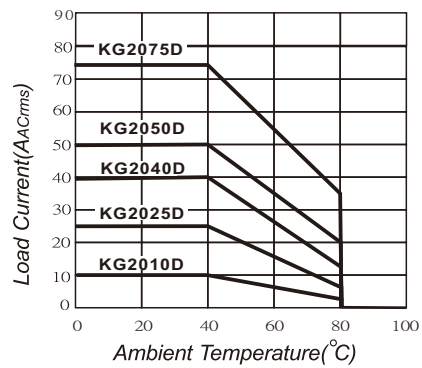
外觀尺寸圖 MECHANICAL DIMENSIONS (Unit:mm)



特性曲線圖 CHARACTERISTIC CURVES



Load Current VS. Ambient Temp.



GENERAL NOTES

- (1) All parameters at 25°C unless otherwise specified
- (2) Dielectric strength and insulation resistance are measured between input and output
- (3) Heat sinking require, for derating curves see next page.