

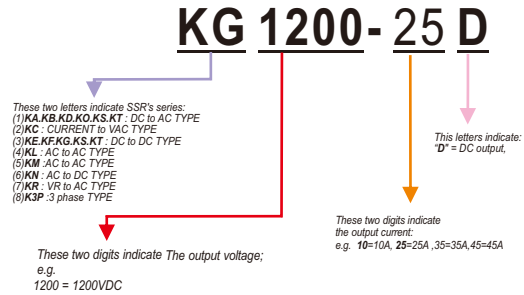
單相固態繼電器 SOLID STATE RELAY

KG1200-05D
KG1200-10D
KG1200-25D
KG1200-40D

KG1200 SERIES

型號索引說明 Model No. Descriptions:

- ❖ DC control
- ❖ Ratings up to 45A @ 1200VDC



產品摘錄 PRODUCT SELECTON

輸出規格 OUTPUT SPECIFICATIONS

品名	Description	KG1200-05D	KG1200-10D	KG1200-25D	KG1200-40D
負載電流	Maximum load Current	5A	10A	25A	40A
負載電壓範圍	Operating Voltage [VDC]	1200VDC	1200VDC	1200VDC	1200VDC
破壞電壓	Maximum Transient Overvoltage [Vpk]	1200Vpk	1200Vpk	1200Vpk	1200Vpk
洩露電流	Maximum Off-State Leakage Current @Rated Voltage [mA]	0.3	0.3	0.3	0.3
最大瞬間承受電流	Maximum Surge Current [Adc] (10ms)	20A	40A	60A	80A
動作壓降	Maximum On-State Voltage Drop @ Rated Current [Vdc]	1.6	1.6	1.6	1.6
端子阻抗	Thermal Resistance Junction to Case (Rjc) [°C/W]	0.8	0.8	0.8	0.8

輸入規格 INPUT SPECIFICATIONS

品名	Description	KG1200-05D	KG1200-10D	KG1200-25D	KG1200-40D
控制電壓範圍	Control Voltage Range	4-32VDC	4-32VDC	4-32VDC	4-32VDC
最小導通電壓	Minimum Turn-on Voltage	4VDC	4VDC	4VDC	4VDC
最小關斷電壓	Minimum Turn-off Voltage	1.0VDC	1.0VDC	1.0VDC	1.0VDC
關斷洩漏電流	Typical Input Current at Nominal Voltage	15mA	15mA	15mA	15mA
輸入阻抗	Nominal Input Impedance	1.5ohm	1.5ohm	1.5ohm	1.5ohm
最大動作時間	Maximum Turn-on Time [m Sec]	2m Sec	2m Sec	2m Sec	2m Sec
最大關斷時間	Maximum Turn-off Time [m Sec]	2m Sec	2m Sec	2m Sec	2m Sec

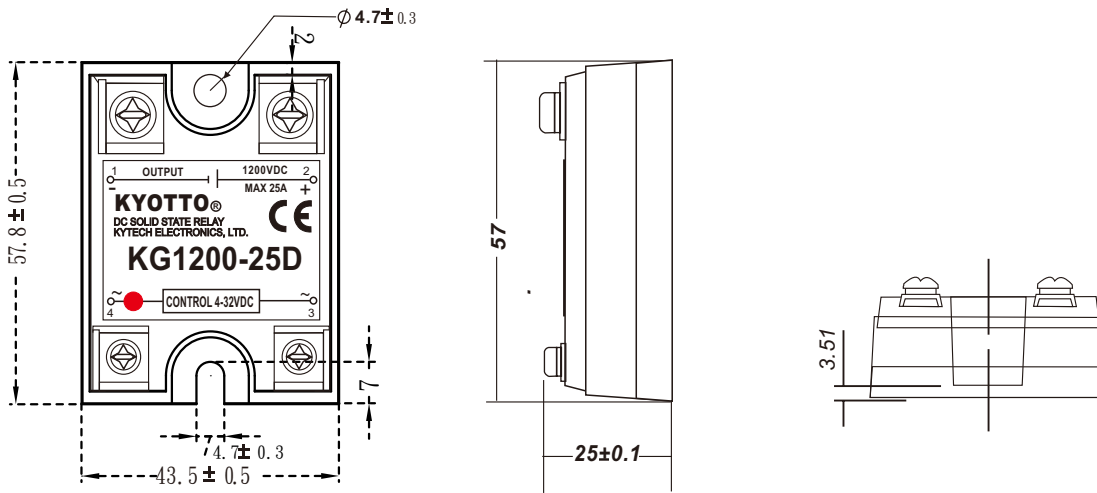
一般規格 GENERAL SPECIFICATIONS

品名	Description	KG1200-05D	KG1200-10D	KG1200-25D	KG1200-40D
輸入/輸出至外殼絕緣電壓	Dielectric Strength , Input-Output Base (50/60Hz)	2500	2500	2500	2500
絕緣電阻	Minimum Insulation Resistance	10 ⁹ ohm	10 ⁹ ohm	10 ⁹ ohm	10 ⁹ ohm
輸入-輸出容抗	Maximum Capacitance , Input-Output	Less 15pf	Less 15pf	Less 15pf	Less 15pf
工作溫度範圍	Ambient Operating Temperature Range	-20°C ~+80°C	-20°C ~+80°C	-20°C ~+80°C	-20°C ~+80°C
儲存溫度範圍	Ambient Storage Temperature Range	-40°C ~ +100°C	-40°C ~ +100°C	-40°C ~ +100°C	-40°C ~ +100°C
觸發方式	Switch ing Type	N/A	N/A	N/A	N/A
重量	Weight (g)	100g	100g	100g	100g

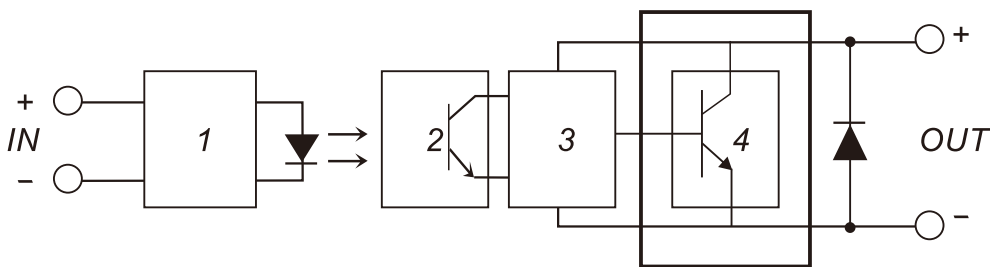
GENERAL NOTES

- (1) All parameters at 25°C unless otherwise specified
- (2) Dielectric strength and insulation resistance are measured between input and output
- (3) Heat sinking require ,for derating curves see next page.

外觀尺寸圖 MECHANICAL DIMENSIONS (Unit:mm)



等效電路圖 EQUIVALENT CIRCUIT



- 1.INPUT CIRCUIT
- 2.PHOTO DETECTOR
- 3.AMPLIFIER
- 4.PROTECTED CIRCUIT