

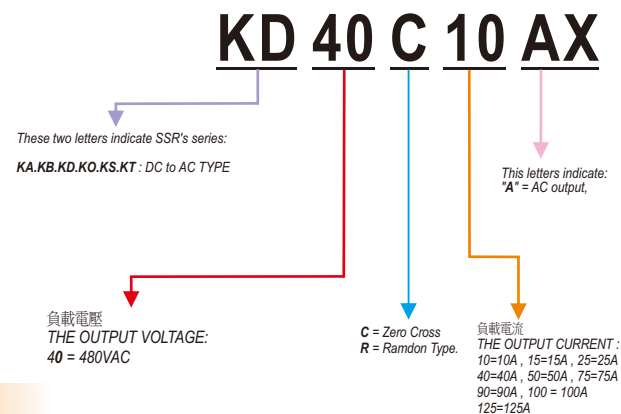
# 固態繼電器 SOLID STATE RELAY

**KD40C10AX**  
**KD40C15AX**  
**KD40C25AX**  
**KD40C40AX**

**KD40 (DC-AC) SERIES**



型號索引說明 Model No. Descriptions:



## 產品摘錄 PRODUCT SELECTON

### 輸出規格 OUTPUT SPECIFICATIONS

品名	Description	KD40C10AX	KD40C15AX	KD40C25AX	KD40C40AX
負載電壓範圍	Operating Voltage [VAC]	48-480VAC	48-480VAC	48-480VAC	24-280VAC
最大負載電流	Maximum Load Current [A]	10A	15A	25A	40A
破壞電壓	Maximum Transient Overvoltage [Vpk]	1200	1200	1200	1200
洩漏電流	Maximum Off-State Leakage Current @Rated Voltage [mA]	3mA	3mA	3mA	3mA
最大瞬間承受電流	Maximum Surge Current [Adc] (10ms)	100A	150A	250A	400A
動作壓降	Maximum On-State Voltage Drop @ Rated Current [VACrms]	1.5	1.5	1.5	1.5

### 輸入規格 INPUT SPECIFICATIONS

品名	Description	KD40C10AX	KD40C15AX	KD40C25AX	KD40C40AX
控制電壓範圍	Control Voltage Range	4-32VDC	4-32VDC	4-32VDC	4-32VDC
最小導通電壓	Minimum Turn-on Voltage	4	4	4	4
最大關斷電壓	Maximum Turn-off Voltage	1	1	1	1
輸入電流	Typical Input Current	15mA	15mA	15mA	15mA
最大動作時間	Maximum Turn-on Time [mSec]	8.3m Sec	8.3m Sec	8.3m Sec	8.3m Sec
最大關斷時間	Maximum Turn-off Time [mSec]	1/2AC cycle	1/2AC cycle	1/2AC cycle	1/2AC cycle

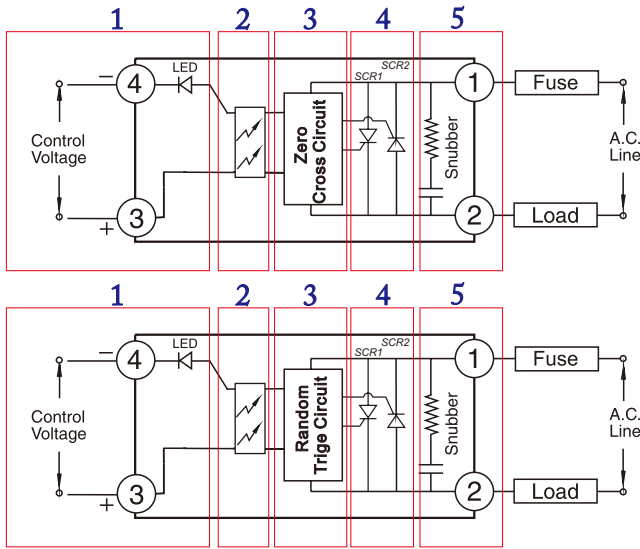
### 一般規格 GENERAL SPECIFICATIONS

品名	Description	KD40C10AX	KD40C15AX	KD40C25AX	KD40C40AX
輸入/輸出至外殼絕緣電壓	Dielectric Strength, Input-Output Base (50/60Hz)	2500	2500	2500	2500
輸入/輸出絕緣電壓	Dielectric Strength, Input-Output (50/60Hz)	2500	2500	2500	2500
絕緣電阻	Minimum Insulation Resistance	10 <sup>9</sup> ohm	10 <sup>9</sup> ohm	10 <sup>9</sup> ohm	10 <sup>9</sup> ohm
輸入-輸出容抗	Maximum Capacitance, Input-Output	Less 15pf	Less 15pf	Less 15pf	Less 15pf
工作溫度範圍	Ambient Operating Temperature Range	-20°C~+80°C	-20°C~+80°C	-20°C~+80°C	-20°C~+80°C
儲存溫度範圍	Ambient Storage Temperature Range	-40°C~+100°C	-40°C~+100°C	-40°C~+100°C	-40°C~+100°C
觸發方式	Switching Type	Zero Cross	Zero Cross	Zero Cross	Zero Cross
重量	Weight (g)	100g	100g	100g	100g

### GENERAL NOTES

- (1) All parameters at 25°C unless otherwise specified
- (2) Dielectric strength and insulation resistance are measured between input and output
- (3) Heat sinking require, for derating curves see next page.

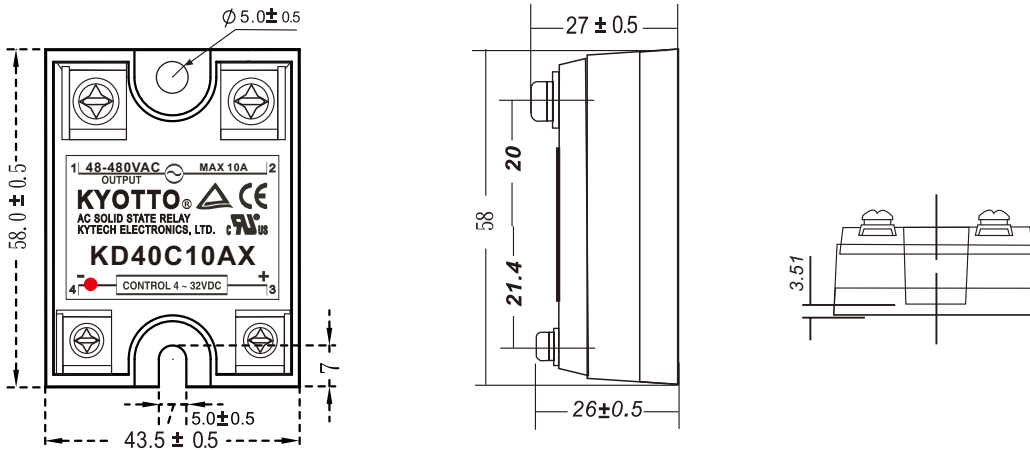
## 等效電路圖 EQUIVALENT CIRCUIT



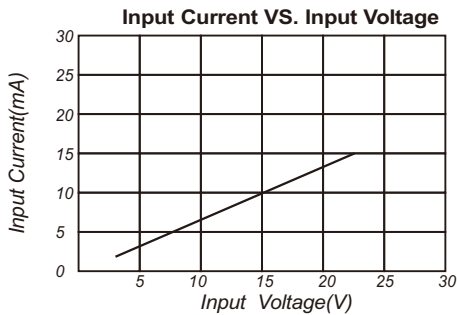
- 1.INPUT CIRCUIT
- 2.PHOTO DETECTOR
- 3.**ZERO CROSS CIRCUIT**
- 4.OUTPUT CIRCUIT
- 5.PROTECTED CIRCUIT

- 1.INPUT CIRCUIT
- 2.PHOTO DETECTOR
- 3.**RANDOM SWITCHING**
- 4.OUTPUT CIRCUIT
- 5.PROTECTED CIRCUIT

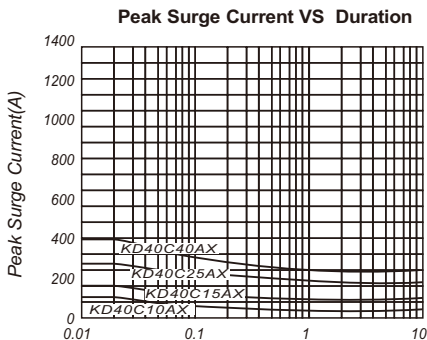
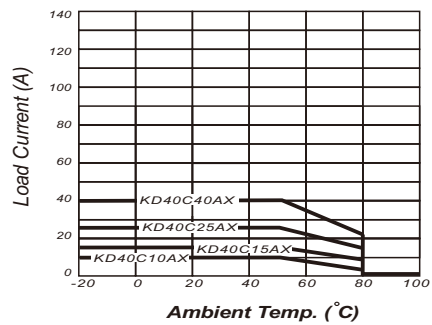
## 外觀尺寸圖 MECHANICAL DIMENSIONS (Unit:mm)



## 特性曲線圖 CHARACTERISTIC CURVES



Load Current VS. Ambient Temp.



Input Characteristics VS. Ambient Temperature

