

固態繼電器 SOLID STATE RELAY

KD20R10AX
KD20R15AX
KD20R25AX
KD20R40AX

KD20R (DC-AC) SERIES



型號索引說明 Model No. Descriptions:

KD 20 R 10 AX

These two letters indicate SSR's series:
KA,KB,KD,KO,KS,KT : DC to AC TYPE

This letters indicate:
"A" = AC output,

負載電壓
THE OUTPUT VOLTAGE:
20 = 280VAC

C = Zero Cross
R = Random Type.

負載電流
THE OUTPUT CURRENT :
10=10A, 15=15A, 25=25A
40=40A, 50=50A, 75=75A
90=90A, 100 = 100A
125=125A

產品摘錄 PRODUCT SELECTON

輸出規格 OUTPUT SPECIFICATIONS

品名	Description	KD20R10AX	KD20R15AX	KD20R25AX	KD20R40AX
負載電壓範圍	Operating Voltage [VAC]	24-280VAC	24-280VAC	24-280VAC	24-280VAC
最大負載電流	Maximum Load Current [Adc]	10A	15A	25A	40A
破壞電壓	Maximum Transient Overvoltage [Vpk]	600	600	600	600
洩漏電流	Maximum Off-State Leakage Current @Rated Voltage [mA]	3mA	3mA	3mA	3mA
最大瞬間承受電流	Maximum Surge Current [Adc] (10ms)	100A	150A	250A	400A
動作壓降	Maximum On-State Voltage Drop @ Rated Current [VACrms]	1.5	1.5	1.5	1.5
瞬間電壓變化率	Maximum Off-State dv/dt [V/uSEC]	500	500	500	500

輸入規格 INPUT SPECIFICATIONS

品名	Description	KD20R10AX	KD20R15AX	KD20R25AX	KD20R40AX
控制電壓範圍	Control Voltage Range	4-32VDC	4-32VDC	4-32VDC	4-32VDC
最小導通電壓	Minimum Turn-on Voltage	4	4	4	4
最大關斷電壓	Maximum Turn-off Voltage	1	1	1	1
輸入電流	Typical Input Current	15mA	15mA	15mA	15mA
最大動作時間	Maximum Turn-on Time [mSec]	8.3m Sec	8.3m Sec	8.3m Sec	8.3m Sec
最大關斷時間	Maximum Turn-off Time [mSec]	1/2AC cycle	1/2AC cycle	1/2AC cycle	1/2AC cycle

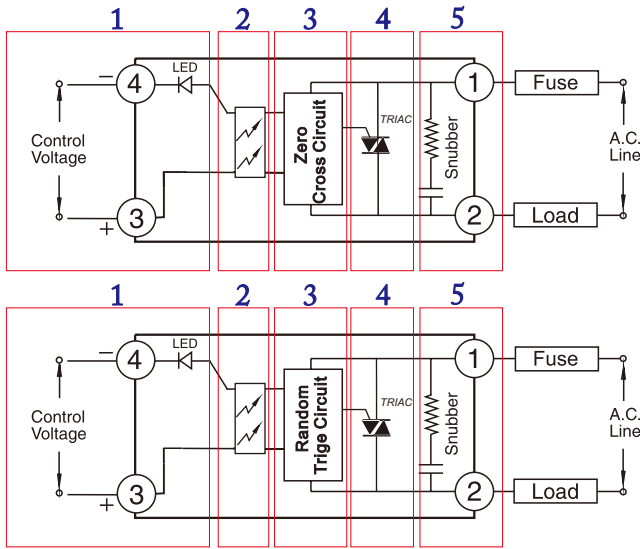
一般規格 GENERAL SPECIFICATIONS

品名	Description	KD20R10AX	KD20R15AX	KD20R25AX	KD20R40AX
輸入/輸出至外殼絕緣電壓	Dielectric Strength, Input-Output Base (50/60Hz)	2500	2500	2500	2500
輸入/輸出絕緣電壓	Dielectric Strength, Input-Output (50/60Hz)	2500	2500	2500	2500
絕緣電阻	Minimum Insulation Resistance	10 ⁹ ohm	10 ⁹ ohm	10 ⁹ ohm	10 ⁹ ohm
輸入-輸出容抗	Maximum Capacitance, Input-Output	Less 15pf	Less 15pf	Less 15pf	Less 15pf
工作溫度範圍	Ambient Operating Temperature Range	-20°C~+80°C	-20°C~+80°C	-20°C~+80°C	-20°C~+80°C
儲存溫度範圍	Ambient Storage Temperature Range	-40°C~+100°C	-40°C~+100°C	-40°C~+100°C	-40°C~+100°C
觸發方式	Switching Type	Random Switching	Random Switching	Random Switching	Random Switching
重量	Weight (g)	100g	100g	100g	100g

GENERAL NOTES

- (1) All parameters at 25°C unless otherwise specified
- (2) Dielectric strength and insulation resistance are measured between input and output
- (3) Heat sinking require, for derating curves see next page.

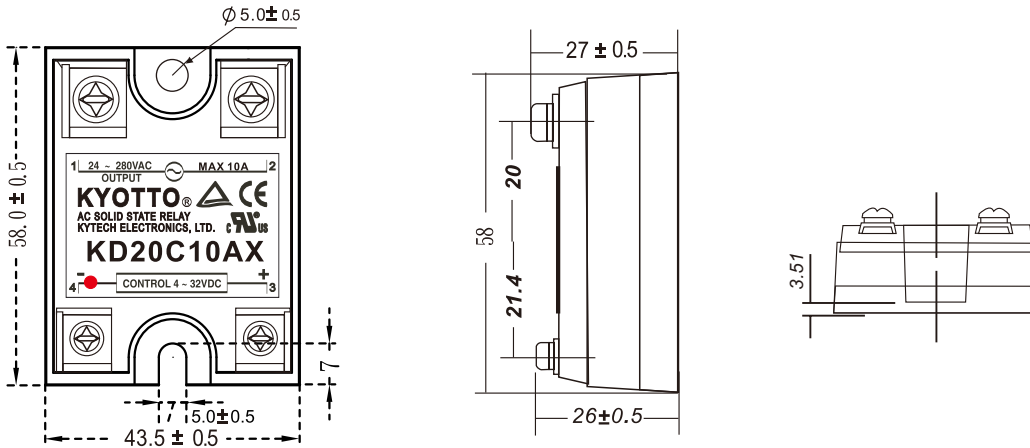
等效電路圖 EQUIVALENT CIRCUIT



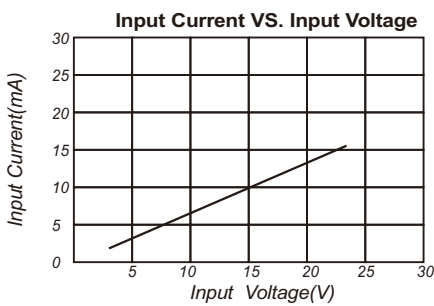
- 1.INPUT CIRCUIT
- 2.PHOTO DETECTOR
- 3.**ZERO CROSS CIRCUIT**
- 4.OUTPUT CIRCUIT
- 5.PROTECTED CIRCUIT

- 1.INPUT CIRCUIT
- 2.PHOTO DETECTOR
- 3.**RANDOM SWITCHING**
- 4.OUTPUT CIRCUIT
- 5.PROTECTED CIRCUIT

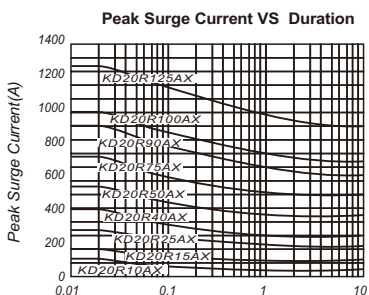
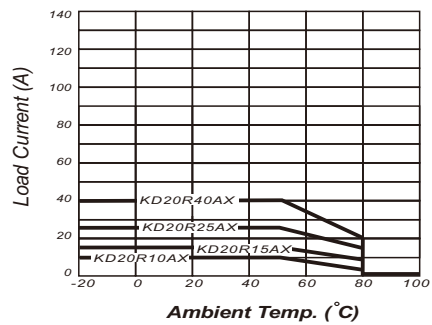
外觀尺寸圖 MECHANICAL DIMENSIONS (Unit:mm)



特性曲線圖 CHARACTERISTIC CURVES



Load Current VS. Ambient Temp.



Input Characteristics VS. Ambient Temperature

