

固態繼電器 SOLID STATE RELAY

KD20C50AX
KD20C75AX
KD20C90AX
KD20C100AX
KD20C125AX

KD20 (DC-AC) SERIES



型號索引說明 Model No. Descriptions:

KD 20 C 50 AX

These two letters indicate SSR's series:
KA.KB.KD.KO.KS.KT : DC to AC TYPE

This letters indicate:
"A" = AC output

負載電壓
THE OUTPUT VOLTAGE:
20 = 280VAC

C = Zero Cross
R = Random Type.

負載電流
THE OUTPUT CURRENT :
10=10A , 15=15A , 25=25A
40=40A , 50=50A , 75=75A
90=90A , 100 = 100A
125=125A

產品摘錄 PRODUCT SELECTON

輸出規格 OUTPUT SPECIFICATIONS

品名	Description	KD20C50AX	KD20C75AX	KD20C90AX	KD20C100AX	KD20C125AX
負載電壓範圍	Operating Voltage [VAC]	24-280VAC	24-280VAC	24-280VAC	24-280VAC	24-280VAC
最大負載電流	Maximum Load Current [A]	50A	75A	90A	100A	125A
破壞電壓	Maximum Transient Overvoltage [Vpk]	600	600	600	600	600
洩漏電流	Maximum Off-State Leakage Current @Rated Voltage [mA]	Less 3mA	Less 3mA	Less 3mA	Less 3mA	Less 3mA
最大瞬間承受電流	Maximum Surge Current [A] (10ms)	500A	750A	900A	1000A	1250A
動作壓降	Maximum On-State Voltage Drop @ Rated Current [VACrms]	1.5	1.5	1.5	1.5	1.5
瞬間電壓變化率	Maximum Off-State dv/dt [V/uSEC]	500	500	500	500	500

輸入規格 INPUT SPECIFICATIONS

品名	Description	KD20C50AX	KD20C75AX	KD20C90AX	KD20C100AX	KD20C125AX
控制電壓範圍	Control Voltage Range	4-32VDC	4-32VDC	4-32VDC	4-32VDC	4-32VDC
最小導通電壓	Minimum Turn-on Voltage	4	4	4	4	4
最大關斷電壓	Maximum Turn-off Voltage	1	1	1	1	1
輸入電流	Typical Input Current	15mA	15mA	15mA	15mA	15mA
最大動作時間	Maximum Turn-on Time [mSec]	8.3m Sec	8.3m Sec	8.3m Sec	8.3m Sec	8.3m Sec
最大關斷時間	Maximum Turn-off Time [mSec]	Less 1/2AC cycle	Less 1/2AC cycle	Less 1/2AC cycle	Less 1/2AC cycle	Less 1/2AC cycle

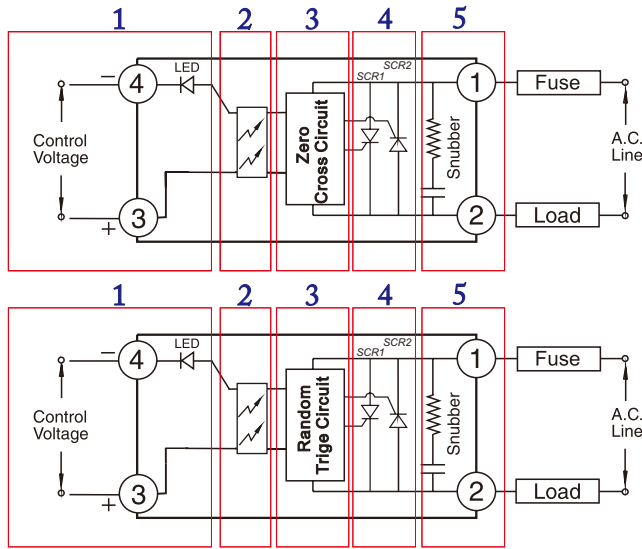
一般規格 GENERAL SPECIFICATIONS

品名	Description	KD20C50AX	KD20C75AX	KD20C90AX	KD20C100AX	KD20C125AX
輸入/輸出至外殼絕緣電壓	Dielectric Strength , Input-Output Base (50/60Hz)	2500	2500	2500	2500	2500
輸入/輸出絕緣電壓	Dielectric Strength , Input-Output (50/60Hz)	2500	2500	2500	2500	2500
絕緣電阻	Minimum Insulation Resistance	10 ⁹ ohm	10 ⁹ ohm	10 ⁹ ohm	10 ⁹ ohm	10 ⁹ ohm
輸入-輸出容抗	Maximum Capacitance , Input-Output	Less 15pf	Less 15pf	Less 15pf	Less 15pf	Less 15pf
工作溫度範圍	Ambient Operating Temperature Range	-20°C~+80°C	-20°C~+80°C	-20°C~+80°C	-20°C~+80°C	-20°C~+80°C
儲存溫度範圍	Ambient Storage Temperature Range	-40°C~+100°C	-40°C~+100°C	-40°C~+100°C	-40°C~+100°C	-40°C~+100°C
觸發方式	Switching Type	Zero Cross	Zero Cross	Zero Cross	Zero Cross	Zero Cross
重量	Weight (g)	100g	100g	100g	100g	100g

GENERAL NOTES

- (1) All parameters at 25°C unless otherwise specified
- (2) Dielectric strength and insulation resistance are measured between input and output
- (3) Heat sinking require , for derating curves see next page.

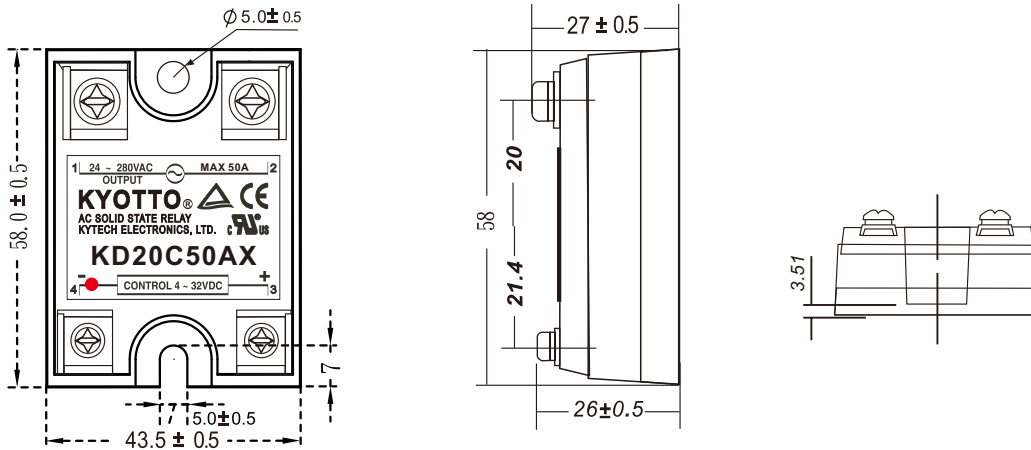
等效電路圖 EQUIVALENT CIRCUIT



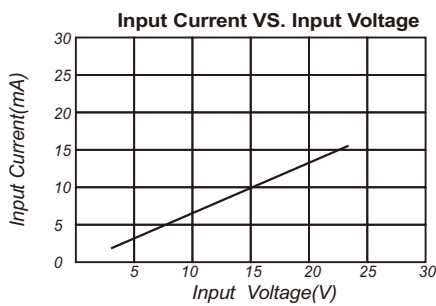
- 1.INPUT CIRCUIT
- 2.PHOTO DETECTOR
- 3.**ZERO CROSS CIRCUIT**
- 4.OUTPUT CIRCUIT
- 5.PROTECTED CIRCUIT

- 1.INPUT CIRCUIT
- 2.PHOTO DETECTOR
- 3.**RANDOM SWITCHING**
- 4.OUTPUT CIRCUIT
- 5.PROTECTED CIRCUIT

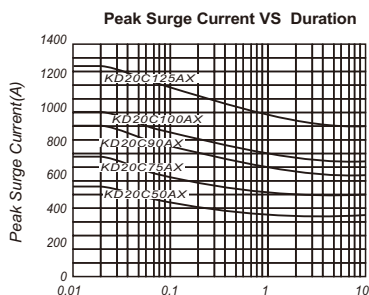
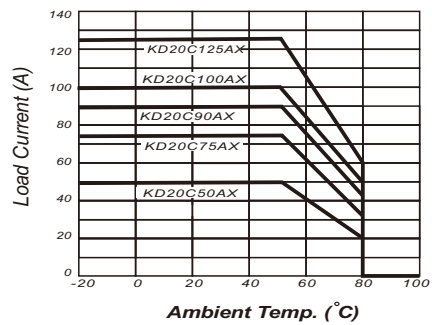
外觀尺寸圖 MECHANICAL DIMENSIONS (Unit:mm)



特性曲線圖 CHARACTERISTIC CURVES



Load Current VS. Ambient Temp.



Input Characteristics VS. Ambient Temperature

