

三相固態繼電器 3 PHASE SOLID STATE RELAY

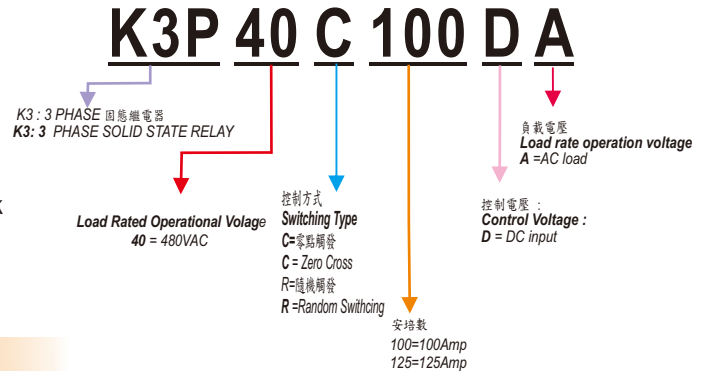
**K3P40C100DA K3P40R100DA
K3P40C125DA K3P40R125DA**

K3P40 - DA SERIES



型號索引說明 Model No. Descriptions:

- ❖ 此為三相固態繼電器設計
3-phase Solid State Relay
- ❖ 負載輸出電壓可達480VAC
Rated operational voltage : Up to 480VACrms.
- ❖ 零點觸發 / 隨機觸發
Zero Switching / Random Turn.
- ❖ 負載輸出電壓可達480VAC , 1200Vpeak
High-Tension: Load Voltage can to 480VAC , 1200Vpeak
- ❖ 內建衝擊電壓保護
Built-in voltage transient protection.
- ❖ 輸入-輸出絕緣電壓可達4000VACrms.
Insulation: Optocoupler (input-output) 4000VACrms.



產品摘錄 PRODUCT SELECTON

輸出規格 OUTPUT SPECIFICATIONS

品名	Description	K3P40C100DA	K3P40C125DA	K3P40R100DA	K3P40R125DA
最大負載電流 (25°C)	Max Load Current (25°C)	100A	125A	100A	125A
負載電壓範圍	Operating Voltage [VAC]	48-480	48-480	48-480	48-480
破壞電壓	Maximum Transient Overvoltage [Vpk]	1200	1200	1200	1200
洩露電流	Maximum Off-State Leakage Current @Rated Voltage [mA]	10mA	10mA	10mA	10mA
最大瞬間承受電流	Maximum Surge Current [A] (10ms)	1000A	1250A	1000A	1250A
動作壓降	Maximum On-State Voltage Drop @ Rated Current [V]	1.5	1.5	1.5	1.5
瞬間電壓變化率	Maximum Off-State dv/dt [V/uSec]	1000	1000	1000	1000

輸入規格 INPUT SPECIFICATIONS

品名	Description	K3P40C100DA	K3P40C125DA	K3P40R100DA	K3P40R125DA
控制電壓範圍	Control Voltage Range	12-32VDC	12-32VDC	12-32VDC	12-32VDC
最小導通電壓	Minimum Turn-on Voltage	12VDC	12VDC	12VDC	12VDC
最大關斷電壓	Maximum Turn-off Voltage	1VDC	1VDC	1VDC	1VDC
輸入電流	Typical Input Current	15mA	15mA	15mA	15mA
最大動作時間	Maximum Turn-on Time [msec]	8.3m Sec	8.3m Sec	8.3m Sec	8.3m Sec
最大關斷時間	Maximum Turn-off Time [msec]	1/2AC cycle	1/2AC cycle	1/2AC cycle	1/2AC cycle

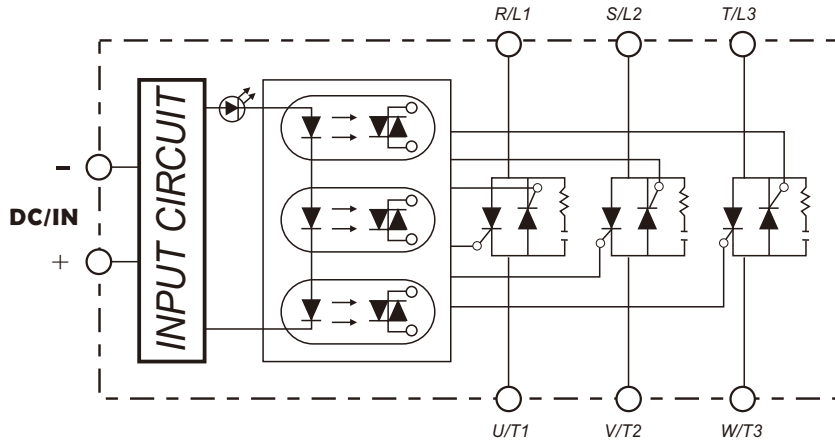
一般規格 GENERAL SPECIFICATIONS

品名	Description	K3P40C100DA	K3P40C125DA	K3P40R100DA	K3P40R125DA
輸入/輸出至外殼絕緣電壓	Dielectric Strength , Input-Output Base	4000	4000	4000	4000
輸入/輸出絕緣電壓	Dielectric Strength , Input-Output	4000	4000	4000	4000
絕緣電阻	Minimum Insulation Resistance	10 ⁹ ohm	10 ⁹ ohm	10 ⁹ ohm	10 ⁹ ohm
工作溫度範圍	Ambient Operating Temperature Range	-20°C~+80°C	-20°C~+80°C	-20°C~+80°C	-20°C~+80°C
儲存溫度範圍	Ambient Storage Temperature Range	-40°C~+100°C	-40°C~+100°C	-40°C~+100°C	-40°C~+100°C
觸發方式	Switching Type	Zero Cross	Zero Cross	Random switching	Random switching
重量	Weight (g) +/- 50g	500g	500g	500g	500g

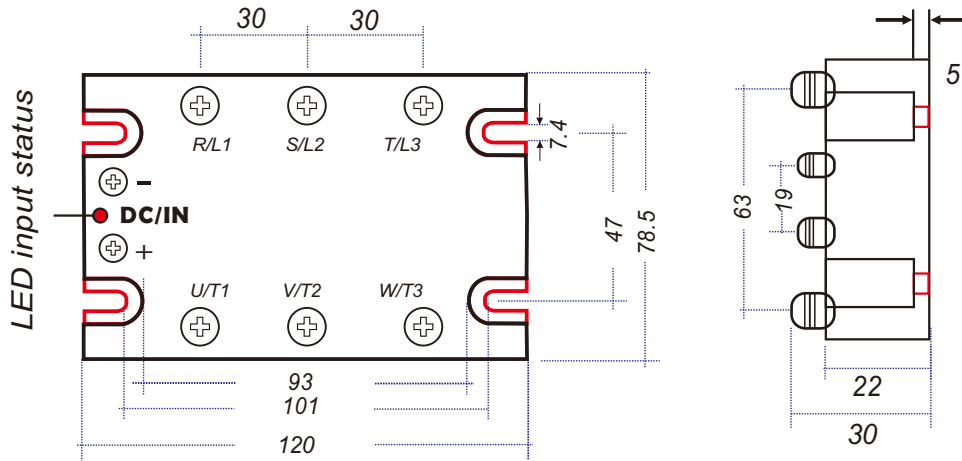
GENERAL NOTES

- (1) All parameters at 25°C unless otherwise specified
- (2) Dielectric strength and insulation resistance are measured between input and output
- (3) Heat sinking require , for derating curves see next page.

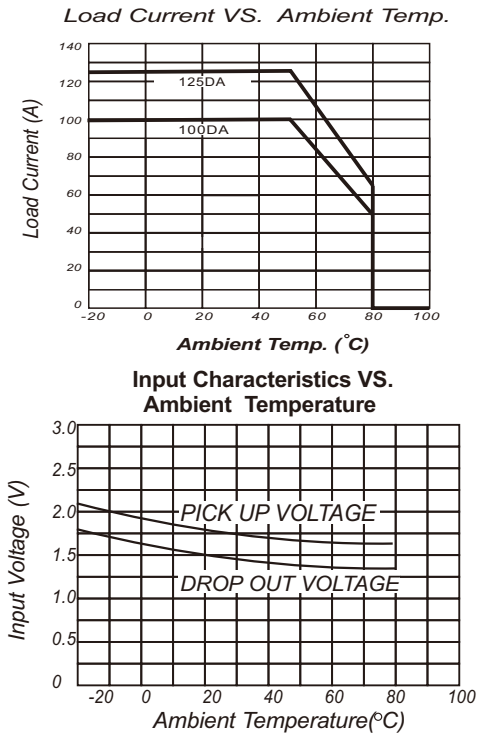
等效電路圖 EQUIVALENT CIRCUIT



外觀尺寸圖 MECHANICAL DIMENSIONS (Unit:mm)



特性曲線圖 CHARACTERISTIC CURVES



應用範例 EXAMPLE APPLICATION

