

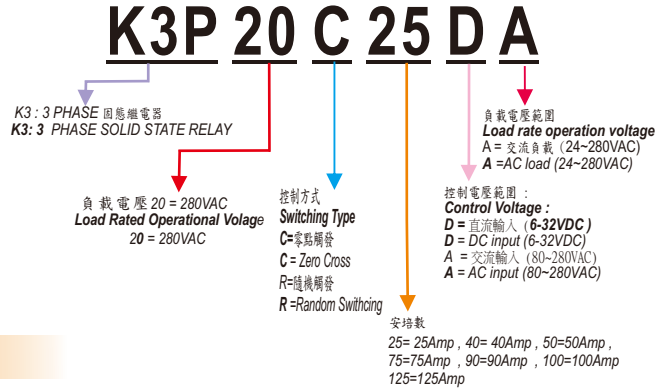
# 三相固態繼電器 3 PHASE SOLID STATE RELAY

K3P20C25DA  
K3P20C40DA  
K3P20C50DA  
K3P20C75DA  
K3P20C90DA

K3P20C- DA SERIES



型號索引說明 Model No. Descriptions:



## 產品摘錄 PRODUCT SELECTON

### 輸出規格 OUTPUT SPECIFICATIONS

| 品名            | Description   | K3P20C25DA | K3P20C40DA | K3P20C50DA | K3P20C75DA | K3P20C90DA |
|---------------|---|------------|------------|------------|------------|------------|
| 最大負載電流 (25°C) | Max Load Current (25°C)                               | 25A        | 40A        | 50A        | 75A        | 90A        |
| 負載電壓範圍        | Operating Voltage [VAC]                               | 24-280     | 24-280     | 24-280     | 24-280     | 24-280     |
| 破壞電壓          | Maximum Transient Overvoltage [Vpk]                   | 600        | 600        | 600        | 600        | 600        |
| 洩露電流          | Maximum Off-State Leakage Current @Rated Voltage [mA] | 10mA       | 10mA       | 10mA       | 10mA       | 10mA       |
| 最大瞬間承受電流      | Maximum Surge Current [A] (10ms)                      | 250A       | 400A       | 500A       | 750A       | 900A       |
| 動作壓降          | Maximum On-State Voltage Drop @ Rated Current [V]     | 1.5        | 1.5        | 1.5        | 1.5        | 1.5        |

### 輸入規格 INPUT SPECIFICATIONS

| 品名     | Description                  | K3P20C25DA  | K3P20C40DA  | K3P20C50DA  | K3P20C75DA  | K3P20C90DA  |
|--------|------------------------------|-------------|-------------|-------------|-------------|-------------|
| 控制電壓範圍 | Control Voltage Range        | 6-32VDC     | 6-32VDC     | 6-32VDC     | 6-32VDC     | 6-32VDC     |
| 最小導通電壓 | Minimum Turn-on Voltage      | 5.8VDC      | 5.8VDC      | 5.8VDC      | 5.8VDC      | 5.8VDC      |
| 最小關斷電壓 | Minimum Turn-off Voltage     | 1VDC        | 1VDC        | 1VDC        | 1VDC        | 1VDC        |
| 輸入洩漏電流 | Leakage Current              | 15mA        | 15mA        | 15mA        | 15mA        | 15mA        |
| 最大動作時間 | Maximum Turn-on Time [msec]  | 8.3mSec     | 8.3mSec     | 8.3mSec     | 8.3mSec     | 8.3mSec     |
| 最大關斷時間 | Maximum Turn-off Time [msec] | 1/2AC cycle | 1/2AC cycle | 1/2AC cycle | 1/2AC cycle | 1/2AC cycle |

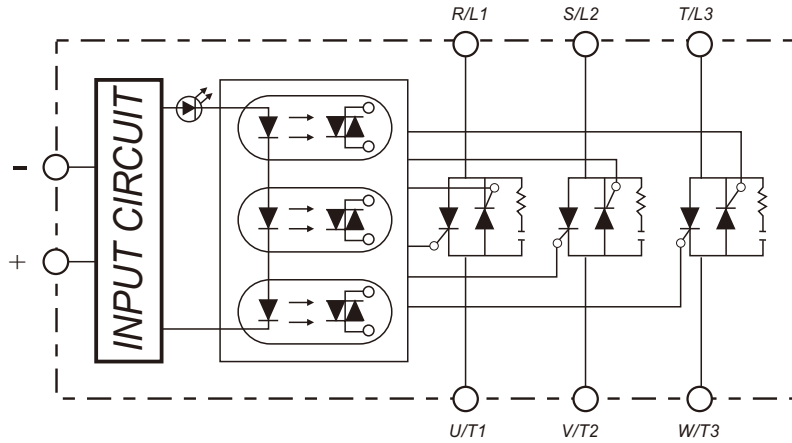
### 一般規格 GENERAL SPECIFICATIONS

| 品名           | Description                                      | K3P20C25DA          | K3P20C40DA          | K3P20C50DA          | K3P20C75DA          | K3P20C90DA          |
|--------------|--|---------------------|---------------------|---------------------|---------------------|---------------------|
| 輸入/輸出至外殼絕緣電壓 | Dielectric Strength, Input-Output Base (50/60Hz) | 4000                | 4000                | 4000                | 4000                | 4000                |
| 輸入/輸出絕緣電壓    | Dielectric Strength, Input-Output (50/60Hz)      | 4000                | 4000                | 4000                | 4000                | 4000                |
| 絕緣電阻         | Minimum Insulation Resistance                    | 10 <sup>9</sup> ohm | 10 <sup>9</sup> ohm | 10 <sup>9</sup> ohm | 10 <sup>9</sup> ohm | 10 <sup>9</sup> ohm |
| 工作溫度範圍       | Ambient Operating Temperature Range              | -20°C~+80°C         | -20°C~+80°C         | -20°C~+80°C         | -20°C~+80°C         | -20°C~+80°C         |
| 儲存溫度範圍       | Ambient Storage Temperature Range                | -40°C~+100°C        | -40°C~+100°C        | -40°C~+100°C        | -40°C~+100°C        | -40°C~+100°C        |
| 觸發方式         | Switching Type                                   | Zero Cross          | Zero Cross          | Zero Cross          | Zero Cross          | Zero Cross          |
| 重量           | Weight (g) +/- 50g                               | 400g                | 400g                | 400g                | 400g                | 400g                |

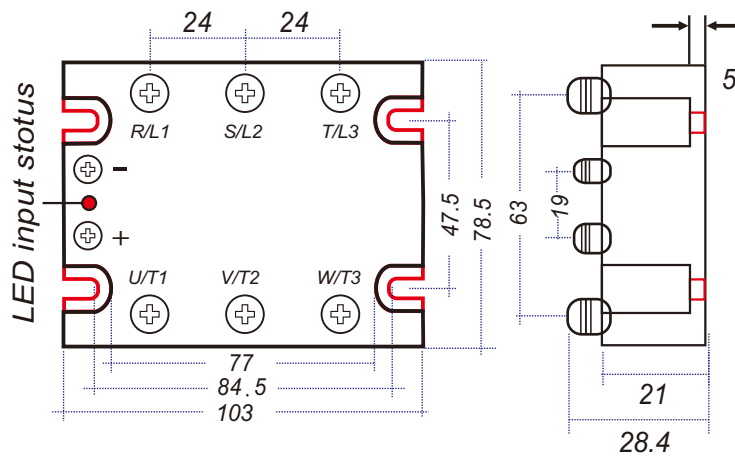
### GENERAL NOTES

- (1) All parameters at 25°C unless otherwise specified
- (2) Dielectric strength and insulation resistance are measured between input and output
- (3) Heat sinking require, for derating curves see next page.

等效電路圖 EQUIVALENT CIRCUIT

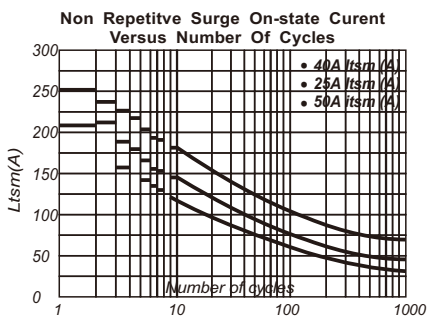
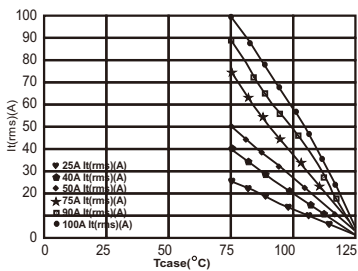


外觀尺寸圖 MECHANICAL DIMENSIONS (Unit:mm)



特性曲線圖 CHARACTERISTIC CURVES

Characteristics curve  
RMS On-state Current Versus Case Temperature



應用範例 EXAMPLE APPLICATION

