

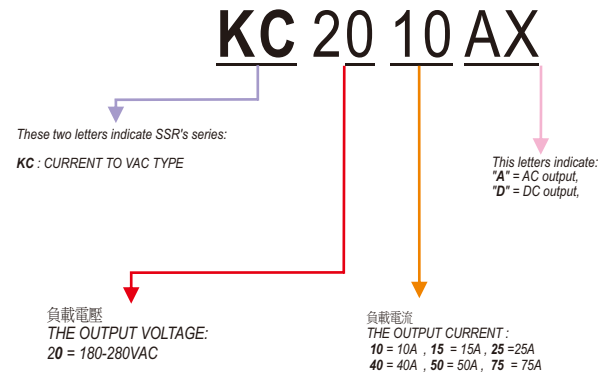
固態繼電器 SOLID STATE RELAY

KC2010AX KC2040AX
 KC2015AX KC2050AX
 KC2025AX KC2075AX
 KC2090AX

KC20 SERIES



型號索引說明 Model No. Descriptions:



產品摘錄 PRODUCT SELECTON

輸出規格 OUTPUT SPECIFICATIONS

品名	Description	KC2010AX	KC2015AX	KC2025AX	KC2040AX	KC2050AX	KC2075AX	KC2090AX
負載電壓範圍	Operating Voltage [VAC]	180-280VAC	180-280VAC	180-280VAC	180-280VAC	180-280VAC	180-280VAC	180-280VAC
破壞電壓	Maximum Transient Overvoltage [Vpk]	600	600	600	600	600	600	600
洩露電流	Maximum Off-State Leakage Current @Rated Voltage [mA]	Less 3mA	Less 3mA	Less 3mA	Less 3mA	Less 3mA	Less 3mA	Less 3mA
最大瞬間承受電流	Maximum Surge Current [Adc] (10ms)	100A	150A	250A	400A	500A	750A	900A
動作壓降	Maximum On-State Voltage Drop @ Rated Current [VACrms]	1.5	1.5	1.5	1.5	1.5	1.5	1.5
瞬間電壓變化率	Maximum Off-State dv/dt [V/usEC]	500	500	500	500	500	500	500

輸入規格 INPUT SPECIFICATIONS

品名	Description	KC2010AX	KC2015AX	KC2025AX	KC2040AX	KC2050AX	KC2075AX	KC2090AX
控制範圍	Control Range	4-20mA / 0-10VDC	4-20mA / 0-10VDC	4-20mA / 0-10VDC	4-20mA / 0-10VDC	4-20mA / 0-10VDC	4-20mA / 0-10VDC	4-20mA / 0-10VDC
最小導通電壓	Minimum Turn-on Voltage	4	4	4	4	4	4	4
最小關斷電壓	Minimum Turn-off Voltage	3.8	3.8	3.8	3.8	3.8	3.8	3.8
輸入電流	Typical Input Current	10A	15A	25A	40A	50A	75A	90A
最大動作時間	Maximum Turn-on Time [mSec]	Less 2m Sec	Less 2m Sec	Less 2m Sec	Less 2m Sec	Less 2m Sec	Less 2m Sec	Less 2m Sec
最大關斷時間	Maximum Turn-off Time [mSec]	Less 1/2AC cycle	Less 1/2AC cycle	Less 1/2AC cycle	Less 1/2AC cycle	Less 1/2AC cycle	Less 1/2AC cycle	Less 1/2AC cycle

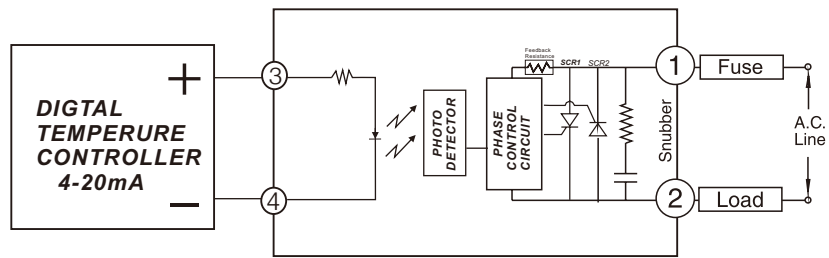
一般規格 GENERAL SPECIFICATIONS

品名	Description	KC2010AX	KC2015AX	KC2025AX	KC2040AX	KC2050AX	KC2075AX	KC2090AX
輸入/輸出至外殼絕緣電壓	Dielectric Strength, Input-Output Base (50/60Hz)	2500	2500	2500	2500	2500	2500	2500
輸入/輸出絕緣電壓	Dielectric Strength, Input-Output (50/60Hz)	2500	2500	2500	2500	2500	2500	2500
絕緣電阻	Minimum Insulation Resistance	10 ⁹ ohm	10 ⁹ ohm	10 ⁹ ohm	10 ⁹ ohm	10 ⁹ ohm	10 ⁹ ohm	10 ⁹ ohm
工作溫度範圍	Ambient Operating Temperature Range	-20°C ~ +80°C	-20°C ~ +80°C	-20°C ~ +80°C	-20°C ~ +80°C	-20°C ~ +80°C	-20°C ~ +80°C	-20°C ~ +80°C
儲存溫度範圍	Ambient Storage Temperature Range	-40°C ~ +100°C	-40°C ~ +100°C	-40°C ~ +100°C	-40°C ~ +100°C	-40°C ~ +100°C	-40°C ~ +100°C	-40°C ~ +100°C
觸發方式	Switching Type	Phase Control	Phase Control	Phase Control	Phase Control	Phase Control	Phase Control	Phase Control
重量	Weight (g)	100g	100g	100g	100g	100g	100g	100g

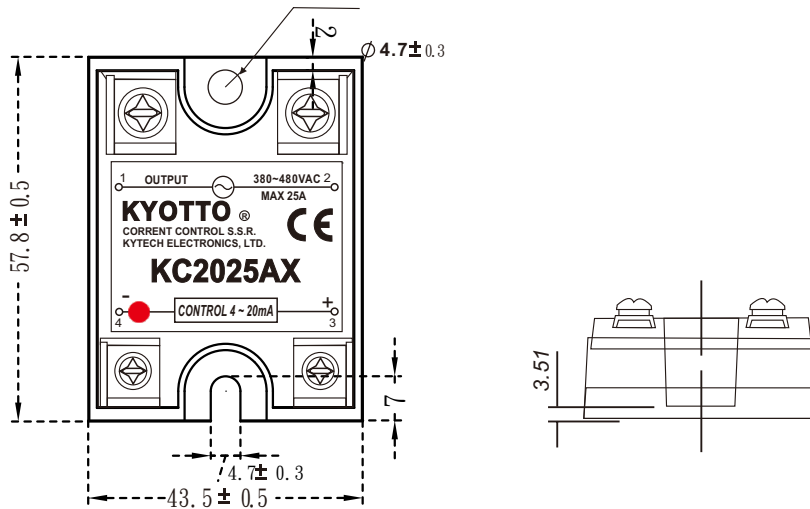
GENERAL NOTES

- (1) All parameters at 25°C unless otherwise specified
- (2) Dielectric strength and insulation resistance are measured between input and output
- (3) Heat sinking require, for derating curves see next page.

等效電路圖 EQUIVALENT CIRCUIT



外觀尺寸圖 MECHANICAL DIMENSIONS (Unit:mm)



特性曲線圖 CHARACTERISTIC CURVES

Output power as a function of control input (4 to 20mA)

I in [mA]	P out [%]
4	4
6	13
8	25
10	38
12	50
14	62
16	75
18	87
20	95

Input Voltage VS. Input Current

