

AC SOLID STATE RELAY

K3P40C25DA K3P40C75DA
K3P40C40DA K3P40C90DA
K3P40C50DA K3P40C100DA

(HEATER LOAD ONLY)
3PHASE SERIES

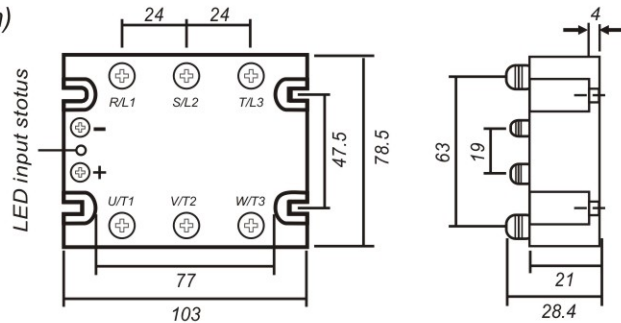


SPECIFICATIONS

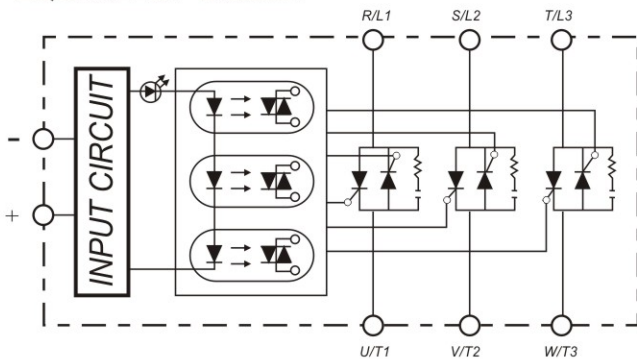
MODEL NO.	CONTROL VOLTAGE RANGE	MUST TURN OFF VOLTAGE	INPUT IMPEDANCE	MAX LOAD CURRENT	LOAD VOLTAGE RANGE	MIN BLOCKING VOLTAGE	MAX OFF-STATE LEAKAGE	FREQUENCY RANGE	MAX 1-CYCLE PEAK SURGE
K3P40C25DA	12 TO 32VDC	MAX 9.5 VDC	1.5Kohm	2.5 A	48-480VAC	1200VAC	LESS 10 mA	47-63HZ	315 A
K3P40C40DA	12 TO 32VDC	MAX 9.5 VDC	1.5Kohm	4.0 A	48-480VAC	1200VAC	LESS 10 mA	47-63HZ	450 A
K3P40C50DA	12 TO 32VDC	MAX 9.5 VDC	1.5Kohm	5.0 A	48-480VAC	1200VAC	LESS 10 mA	47-63HZ	560 A
K3P40C75DA	12 TO 32VDC	MAX 9.5 VDC	1.5Kohm	7.5 A	48-480VAC	1200VAC	LESS 10 mA	47-63HZ	750 A
K3P40C90DA	12 TO 32VDC	MAX 9.5 VDC	1.5Kohm	9.0 A	48-480VAC	1200VAC	LESS 10 mA	47-63HZ	900 A
K3P40C100DA	12 TO 32VDC	MAX 9.5 VDC	1.5Kohm	100A	48-480VAC	1200VAC	LESS 10 mA	47-63HZ	1030A

MODEL NO.	MAX OFF STATE dv/dt	MAX ON-STATE VOLTAGE DROP	ISOLATE IMPEDANCE	DIELECTRIC STRENGTH INPUT-OUTPUT	DIELECTRIC STRENGTH INPUT-OUTPUT-CASE	TURN ON TIME	TURN OFF TIME	CAPACITANCE IN-OUT	WEIGHT (g)
K3P40C25DA	500V/ μ SEC	1.6Vrms	10^9 ohm	2500Vrms	2500Vrms	LESS1/2mSee	LESS1/2cycle	LESS473pf	600 g
K3P40C40DA	500V/ μ SEC	1.6Vrms	10^9 ohm	2500Vrms	2500Vrms	LESS1/2mSee	LESS1/2cycle	LESS473pf	600 g
K3P40C50DA	500V/ μ SEC	1.6Vrms	10^9 ohm	2500Vrms	2500Vrms	LESS1/2mSee	LESS1/2cycle	LESS473pf	600 g
K3P40C75DA	500V/ μ SEC	1.6Vrms	10^9 ohm	2500Vrms	2500Vrms	LESS1/2mSee	LESS1/2cycle	LESS473pf	600 g
K3P40C90DA	500V/ μ SEC	1.6Vrms	10^9 ohm	2500Vrms	2500Vrms	LESS1/2mSee	LESS1/2cycle	LESS473pf	600 g
K3P40C100DA	500V/ μ SEC	1.6Vrms	10^9 ohm	2500Vrms	2500Vrms	LESS1/2mSee	LESS1/2cycle	LESS473pf	600 g

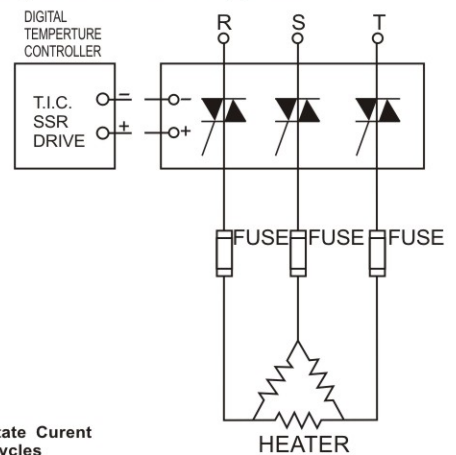
OUTLINE DIMENSIONS (unit:mm)



EQUIVALENT CIRCUIT



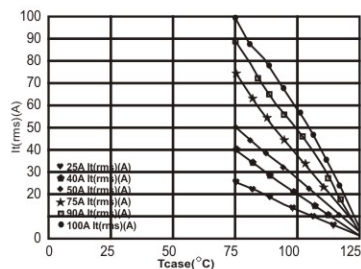
Example of 3 ϕ SSR Application



CHARACTERISTIC CURVES

Characteristics curve

RMS On-state Current Versus Case Temperature



Non Repetitive Surge On-state Current Versus Number Of Cycles

