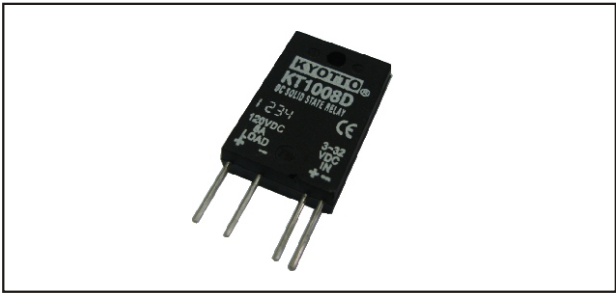


DC SOLID STATE RELAY

KT1008D

KT SERIES

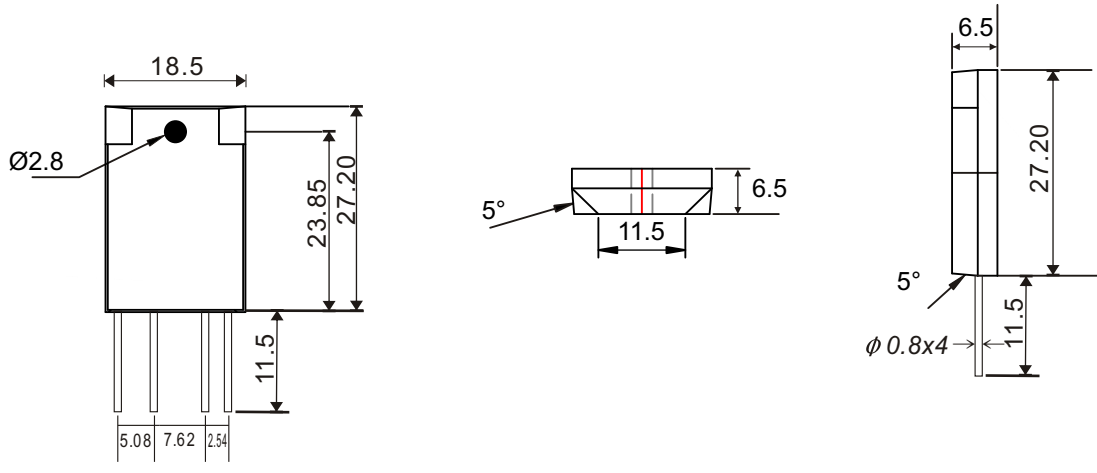


SPECIFICATIONS

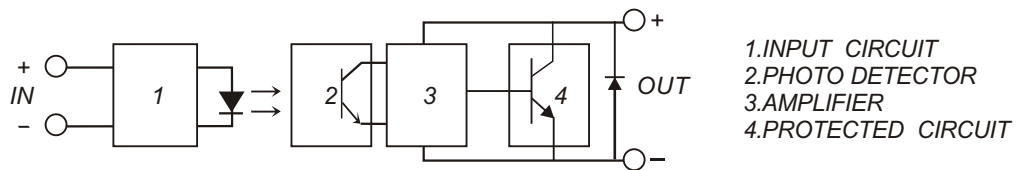
MODEL NO.	CONTROL VOLTAGE RANGE	MUST TURN OFF VOLTAGE	INPUT IMPEDANCE	MAX LOAD CURRENT	LOAD VOLTAGE RANGE	MIN BLOCKING VOLTAGE	MAX OFF-STATE LEAKAGE	FREQUENCY RANGE	MAX 1-CYCLE PEAK SURGE
KT1008D	3 TO 32 VDC	MAX1.0 VDC	1.5Kohm	8A	3~120VDC	140VDC	LESS 1 mA	47~70HZ	80A

MODEL NO.	MAX OFF STATE dv/dt	MAX ON-STATE VOLTAGE DROP	ISOLATE IMPEDENCE	DIELECTRIC STRENGTH INPUT-OUTPUT	TURN ON TIME	TURN OFF TIME	CAPACITANCE IN-OUT	OPERATING TEMPERATURE	WEIGHT (g)
KT1008D	200 V/ μ .SEC	1.2Vrms	10^9 ohm	2500Vrms	LESS 2mSec	LESS1/2cycle	LESS 15pf	-20°C to +80°C	10 g

OUTLINE DIMENSIONS (unit:mm)



EQUIVALENT CIRCUIT



CHARACTERISTIC CURVES

