

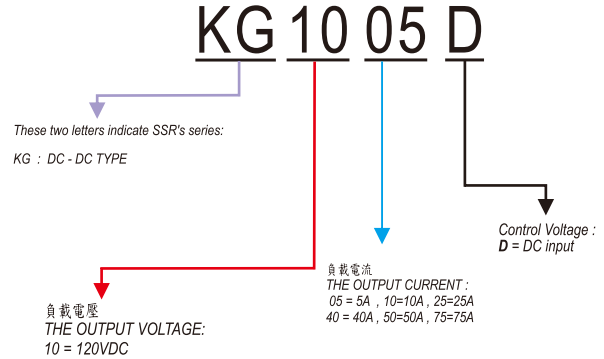
固態繼電器 SOLID STATE RELAY

KG1005D KG1040D
KG1010D KG1050D
KG1025D KG1075D
KG1090D

KG10 (DC-DC) SERIES



型號索引說明 Model No. Descriptions:



產品摘錄 PRODUCT SELECTON

輸出規格 OUTPUT SPECIFICATIONS

品名	Description	KG1005D	KG1010D	KG1025D	KG1040D	KG1050D	KG1075D	KG1090D
負載電壓範圍	Operating Voltage [VDC]	5-120VDC	5-120VDC	5-120VDC	5-120VDC	5-120VDC	5-120VDC	5-120VDC
最大負載電流	Maximum Load Current [A]	5A	10A	25A	40A	50A	75A	90A
破壞電壓	Maximum Transient Overvoltage [Vpk]	200	200	200	200	200	200	200
洩漏電流	Maximum Off-State Leakage Current @Rated Voltage [mA]	Less 3mA	Less 3mA	Less 3mA	Less 3mA	Less 3mA	Less 3mA	Less 3mA
最大瞬間承受電流	Maximum Surge Current [A] (10ms)	15A	25A	43A	52A	75A	96A	120A
動作壓降	Maximum On-State Voltage Drop @ Rated Current [VDCrms]	1.5	1.5	1.5	1.5	1.5	1.5	1.5
瞬間電壓變化率	Maximum Off-State dv/dt [V/usEC]	100	100	100	100	100	100	100

輸入規格 INPUT SPECIFICATIONS

品名	Description	KG1005D	KG1010D	KG1025D	KG1040D	KG1050D	KG1075D	KG1090D
控制電壓範圍	Control Voltage Range	3-32VDC	3-32VDC	4-32VDC	4-32VDC	4-32VDC	4-32VDC	4-32VDC
最小導通電壓	Minimum Turn-on Voltage	3.0	3.0	3.0	3.0	3.0	3.0	3.0
最大關斷電壓	Maximum Turn-off Voltage	1.0	1.0	1.0	1.0	1.0	1.0	1.0
輸入電流	Typical Input Current	15mA	15mA	15mA	15mA	15mA	15mA	15mA
最大動作時間	Maximum Turn-on Time [mSec]	Less 2m Sec	Less 2m Sec	Less 2m Sec	Less 2m Sec	Less 2m Sec	Less 2m Sec	Less 2m Sec
最大關斷時間	Maximum Turn-off Time [mSec]	Less 2m Sec	Less 2m Sec	Less 2m Sec	Less 2m Sec	Less 2m Sec	Less 2m Sec	Less 2m Sec

一般規格 GENERAL SPECIFICATIONS

品名	Description	KG1005D	KG1010D	KG1025D	KG1040D	KG1050D	KG1075D	KG1090D
輸入/輸出至外殼絕緣電壓	Dielectric Strength , Input-Output Base	2500	2500	2500	2500	2500	2500	2500
輸入/輸出絕緣電壓	Dielectric Strength , Input-Output	2500	2500	2500	2500	2500	2500	2500
絕緣電阻	Minimum Insulation Resistance	10 ⁹ ohm	10 ⁹ ohm	10 ⁹ ohm	10 ⁹ ohm	10 ⁹ ohm	10 ⁹ ohm	10 ⁹ ohm
輸入-輸出容抗	Maximum Capacitance , Input-Output	Less 15pf	Less 15pf	Less 15pf	Less 15pf	Less 15pf	Less 15pf	Less 15pf
工作溫度範圍	Ambient Operating Temperature Range	-20°C~+80°C	-20°C~+80°C	-20°C~+80°C	-20°C~+80°C	-20°C~+80°C	-20°C~+80°C	-20°C~+80°C
儲存溫度範圍	Ambient Storage Temperature Range	-40°C~+100°C	-40°C~+100°C	-40°C~+100°C	-40°C~+100°C	-40°C~+100°C	-40°C~+100°C	-40°C~+100°C
觸發方式	Switching Type	BJT	BJT	MOSFET	MOSFET	MOSFET	MOSFET	MOSFET
重量	Weight (g)	100g	100g	100g	100g	100g	100g	100g

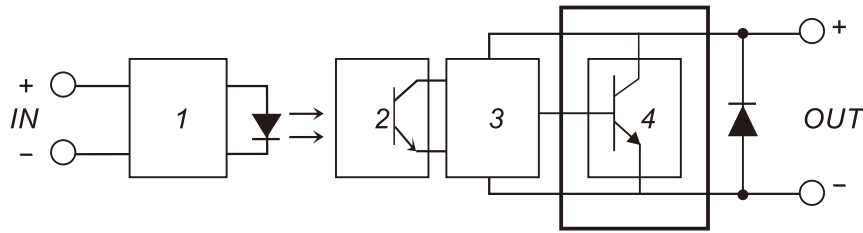
GENERAL NOTES

- (1) All parameters at 25°C unless otherwise specified
- (2) Dielectric strength and insulation resistance are measured between input and output
- (3) Heat sinking require ,for derating curves see next page.

Do not forget to visit us at : www.kyotto.com
 Specifications subject to change without notice.

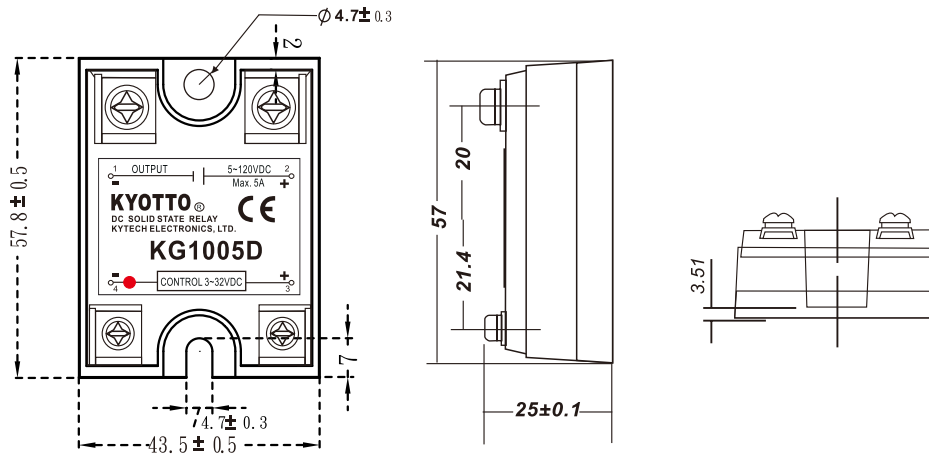
KYOTTO®
 SOLID STATE RELAY

等效電路圖 EQUIVALENT CIRCUIT

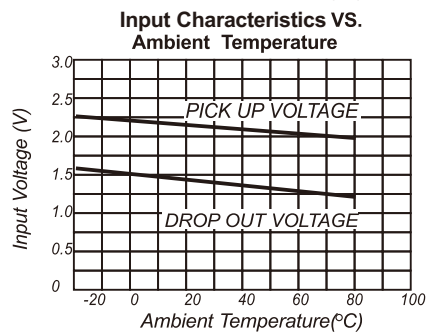
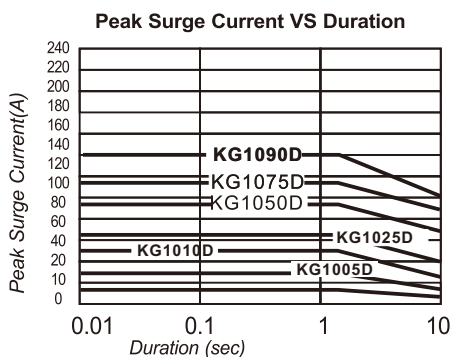
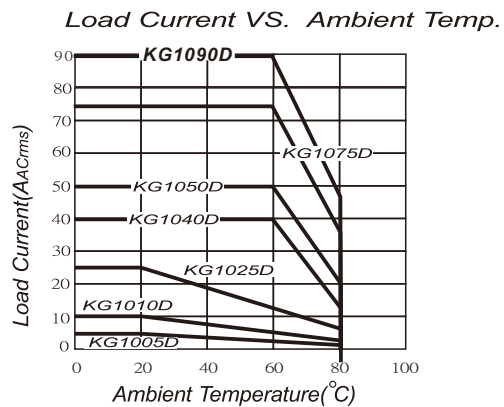
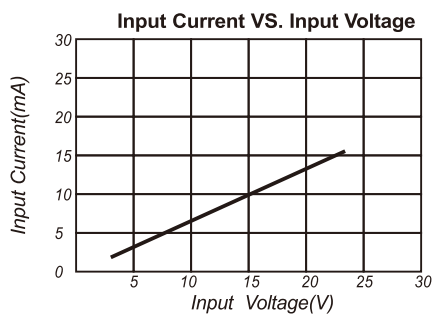


- 1.INPUT CIRCUIT
- 2.PHOTO DETECTOR
- 3.AMPLIFIER
- 4.PROTECTED CIRCUIT

外觀尺寸圖 MECHANICAL DIMENSIONS (Unit:mm)



特性曲線圖 CHARACTERISTIC CURVES



GENERAL NOTES

- (1) All parameters at 25°C unless otherwise specified
- (2) Dielectric strength and insulation resistance are measured between input and output
- (3) Heat sinking require , for derating curves see next page.