

AC SOLID STATE RELAY

K3P20R25AA-2L K3P20R75AA-2L
K3P20R40AA-2L K3P20R90AA-2L
K3P20R50AA-2L K3P20R100AA-2L

(INDUCTIVE LOAD ONLY)
 3PHASE SERIES

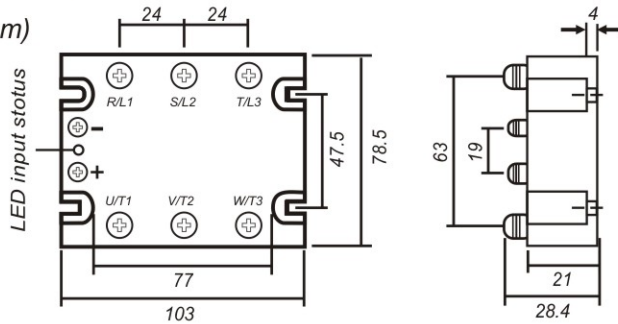


SPECIFICATIONS

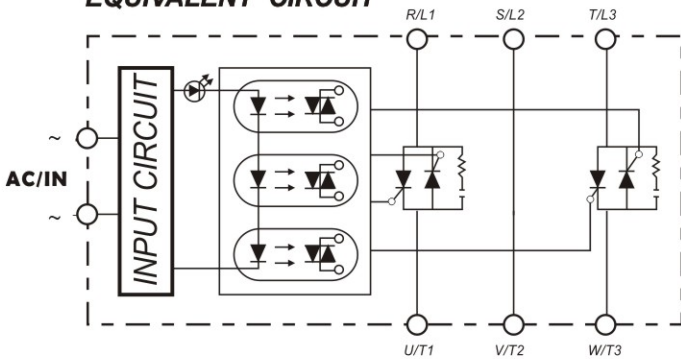
MODEL NO.	CONTROL VOLTAGE RANGE	MUST TURN OFF VOLTAGE	INPUT IMPEDANCE	MAX LOAD CURRENT	LOAD VOLTAGE RANGE	MIN BLOCKING VOLTAGE	MAX OFF-STATE LEAKAGE	FREQUENCY RANGE	MAX 1-CYCLE PEAK SURGE
K3P20R25AA-2L	80~280VAC	MAX9.5VDC	1.5Kohm	25A	24~280VAC	600VAC	LESS 10 mA	47~63HZ	315A
K3P20R40AA-2L	80~280VAC	MAX9.5VDC	1.5Kohm	40A	24~280VAC	600VAC	LESS 10 mA	47~63HZ	450A
K3P20R50AA-2L	80~280VAC	MAX9.5VDC	1.5Kohm	50A	24~280VAC	600VAC	LESS 10 mA	47~63HZ	560A
K3P20R75AA-2L	80~280VAC	MAX9.5VDC	1.5Kohm	75A	24~280VAC	600VAC	LESS 10 mA	47~63HZ	700A
K3P20R90AA-2L	80~280VAC	MAX9.5VDC	1.5Kohm	90A	24~280VAC	600VAC	LESS 10 mA	47~63HZ	900A
K3P20R100AA-2L	80~280VAC	MAX9.5VDC	1.5Kohm	100A	24~280VAC	600VAC	LESS 10 mA	47~63HZ	1030A

MODEL NO.	MAX OFF STATE dv/dt	MAX ON-STATE VOLTAGE DROP	ISOLATE IMPEDANCE	DIELECTRIC STRENGTH INPUT-OUTPUT	DIELECTRIC STRENGTH INPUT-OUTPUT-CASE	TURN ON TIME	TURN OFF TIME	CAPACITANCE IN-OUT	WEIGHT (g)
K3P20R25AA-2L	250 V/ μ SEC	1.6Vrms	10^9 ohm	2500Vrms	2500Vrms	LESS1/2ACcycle	LESS1/2ACcycle	LESS473pf	600 g
K3P20R40AA-2L	250 V/ μ SEC	1.6Vrms	10^9 ohm	2500Vrms	2500Vrms	LESS1/2ACcycle	LESS1/2ACcycle	LESS473pf	600 g
K3P20R50AA-2L	250 V/ μ SEC	1.6Vrms	10^9 ohm	2500Vrms	2500Vrms	LESS1/2ACcycle	LESS1/2ACcycle	LESS473pf	600 g
K3P20R75AA-2L	250 V/ μ SEC	1.6Vrms	10^9 ohm	2500Vrms	2500Vrms	LESS1/2ACcycle	LESS1/2ACcycle	LESS473pf	600 g
K3P20R90AA-2L	250 V/ μ SEC	1.6Vrms	10^9 ohm	2500Vrms	2500Vrms	LESS1/2ACcycle	LESS1/2ACcycle	LESS473pf	600 g
K3P20R100AA-2L	250 V/ μ SEC	1.6Vrms	10^9 ohm	2500Vrms	2500Vrms	LESS1/2ACcycle	LESS1/2ACcycle	LESS473pf	600 g

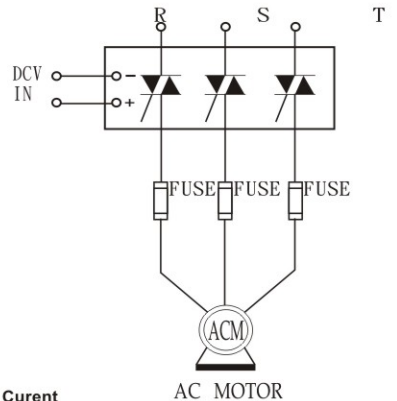
OUTLINE DIMENSIONS (unit:mm)



EQUIVALENT CIRCUIT

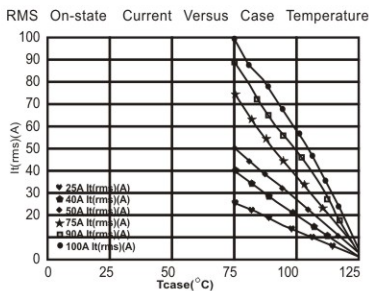


Example of 3 ϕ SSR Application



CHARACTERISTIC CURVES

Characteristics curve



Non Repetitive Surge On-state Current Versus Number Of Cycles

