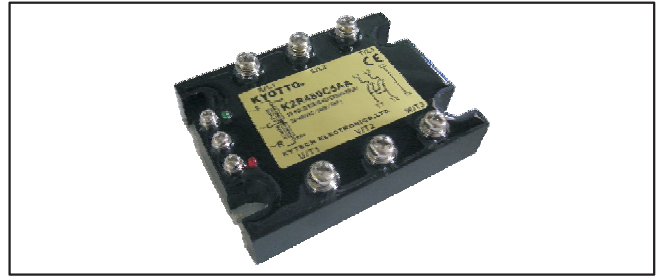


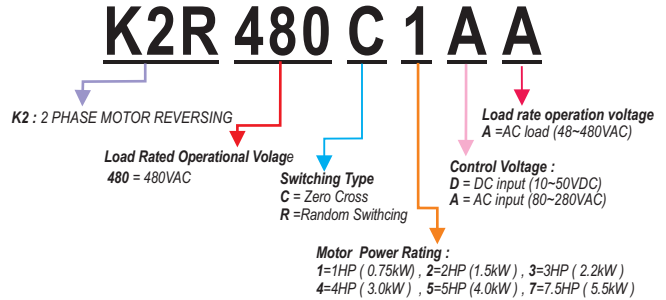
3 PHASE SOLID STATE REVERSING RELAY

K2R480C1AA	K2R480R1AA
K2R480C2AA	K2R480R2AA
K2R480C3AA	K2R480R3AA
K2R480C4AA	K2R480R4AA
K2R480C5AA	K2R480R5AA
K2R480C7AA	K2R480R7AA

K2R480CXXDA SERIES



Model No. Descriptions:



- ❖ Motor reversing for 3-phase induction motors.
- ❖ Rated operational voltage : Up to 480VACrms.
- ❖ Built-in interlock function.
- ❖ DC control voltage / AC control voltage
- ❖ Built-in voltage transient protection.
- ❖ Insulation: Optocoupler (input-output) 4000VACrms.

PRODUCT SELECTON

OUTPUT SPECIFICATIONS

Description	K2R480C1AA	K2R480C2AA	K2R480C3AA	K2R480C4AA	K2R480C5AA	K2R480C7AA
Motor rating	1HP/0.75kW	2HP/1.5kW	3HP/2.2kW	4HP/3.0kW	5HP/4.0kW	7.5HP/5.5kW
Operating Voltage [VDC]	48-480	48-480	48-480	48-480	48-480	48-480
Maximum Transient Overvoltage [Vpk]	1200	1200	1200	1200	1200	1200
Maximum Off-State Leakage Current @Rated Voltage [mA]	Less 1mA	Less 1mA	Less 1mA	Less 1mA	Less 1mA	Less 1mA
Maximum Surge Current [Adc] (10ms)	10A	15A	25A	40A	50A	75A
Maximum On-State Voltage Drop @ Rated Current [Vdc]	1.6	1.6	1.6	1.6	1.6	1.6
Thermal Resistance Junction to Case (Rjc) [°C/W]	0.8	0.8	0.8	0.8	0.8	0.8

INPUT SPECIFICATIONS

Description	K2R480C1AA	K2R480C2AA	K2R480C3AA	K2R480C4AA	K2R480C5AA	K2R480C7AA
Nominal Control Voltage	12VDC	12VDC	12VDC	12VDC	12VDC	12VDC
Control Voltage Range	80-280VAC	80-280VAC	80-280VAC	80-280VAC	80-280VAC	80-280VAC
Minimum Turn-on Voltage	10	10	10	10	10	10
Minimum Turn-off Voltage	2.0	2.0	2.0	2.0	2.0	2.0
Typical Input Current at Nominal Voltage	15mA	15mA	15mA	15mA	15mA	15mA
Nominal Input Impedance	1.5 Kohm	1.5 Kohm	1.5 Kohm	1.5 Kohm	1.5 Kohm	1.5 Kohm
Maximum Turn-on Time [msec]	Less 2m Sec	Less 2m Sec	Less 2m Sec	Less 2m Sec	Less 2m Sec	Less 2m Sec
Maximum Turn-off Time [msec]	Less 1/2AC cycle	Less 1/2AC cycle	Less 1/2AC cycle	Less 1/2AC cycle	Less 1/2AC cycle	Less 1/2AC cycle

GENERAL SPECIFICATIONS

Description	K2R480C1DA	K2R480C2DA	K2R480C3DA	K2R480C4DA	K2R480C5DA	K2R480C7DA
Dielectric Strength , Input-Output Base (50/60Hz)	2500	2500	2500	2500	2500	2500
Minimum Insulation Resistance	10 ⁹ ohm	10 ⁹ ohm	10 ⁹ ohm	10 ⁹ ohm	10 ⁹ ohm	10 ⁹ ohm
Maximum Capacitance , Input-Output	Less 15pf	Less 15pf	Less 15pf	Less 15pf	Less 15pf	Less 15pf
Ambient Operating Temperature Range	-20°C ~+80°C	-20°C ~+80°C	-20°C ~+80°C	-20°C ~+80°C	-20°C ~+80°C	-20°C ~+80°C
Ambient Storage Temperature Range	-40°C ~ +100°C	-40°C ~ +100°C	-40°C ~ +100°C	-40°C ~ +100°C	-40°C ~ +100°C	-40°C ~ +100°C
Switching Type	Zero Cross	Zero Cross	Zero Cross	Zero Cross	Zero Cross	Zero Cross
Weight (g)	600g	600g	600g	600g	600g	600g

GENERAL NOTES

- (1) All parameters at 25°C unless otherwise specified
- (2) Dielectric strength and insulation resistance are measured between input and output
- (3) Heat sinking require ,for derating curves see next page.